



A Textron Company

RXV ELECTRIC SERVICE PARTS MANUAL



611105

ISSUED FEBRUARY 2009

REVISED JULY 2010

SERVICE PARTS MANUAL

ELECTRIC POWERED FLEET & PERSONAL GOLF CARS

RXV GOLF CAR

RXV FREEDOM™

RXV SHUTTLE 2 + 2

STARTING MID-MODEL YEAR 2009

(MANUFACTURED BEGINNING FEBRUARY 23, 2009)

E-Z-GO Division of TEXTRON Inc. reserves the right to incorporate engineering and design changes to products in this Manual, without obligation to include these changes on units leased/sold previously.

The information contained in this Manual may be revised periodically by the E-Z-GO Division, and therefore is subject to change without notice.

The E-Z-GO Division **DISCLAIMS LIABILITY FOR ERRORS IN THIS MANUAL**, and the E-Z-GO Division **SPECIFICALLY DISCLAIMS LIABILITY FOR INCIDENTAL AND CONSEQUENTIAL DAMAGES** resulting from the use of the information and materials in this Manual.

TO CONTACT US

NORTH AMERICA:

TECHNICAL ASSISTANCE & WARRANTY PHONE: 1-800-774-3946, FAX: 1-800-448-8124

SERVICE PARTS PHONE: 1-888-GET-EZGO (1-888-438-3946), FAX: 1-800-752-6175

INTERNATIONAL:

SALES PHONE: 001-706-798-4311, FAX: 001-706-771-4609

E-Z-GO DIVISION OF TEXTRON INC., 1451 MARVIN GRIFFIN ROAD, AUGUSTA, GEORGIA USA 30906-3852

NOTES

To obtain a copy of the limited warranty applicable to the vehicle, call or write a local Distributor, authorized Branch or the Warranty Department with the vehicle serial number and the manufacturer code.

The use of non Original Equipment Manufacturer (OEM) approved parts may void the warranty.

Overfilling batteries may void the warranty.

BATTERY PROLONGED STORAGE

All batteries will self discharge over time. The rate of self discharge varies depending on the ambient temperature and the age and condition of the batteries.

A fully charged battery will not freeze in winter temperatures unless the temperature falls below -75° F (-60° C).

As with all electric vehicles, the batteries must be checked and recharged as required or at a minimum of 30 day intervals.

TABLE OF CONTENTS

SECTION	Page No.
HOW TO USE THE SERVICE PARTS MANUAL	Vii
ACCELERATOR PEDAL ASSEMBLY	A-1
• Accelerator Pedal Pad	
• Accelerator Pedal Assembly	
• Switches	
BATTERY CHARGER	B-1
• Charger	
• Charger Cords	
• Cover	
• Handle	
BODY - FRONT	C-1
• Front Bumper	
• Front Splash Shield	
• Cowl	
• Nameplate	
• Instrument Panel	
• Instrument Panel Trim	
• Cup Holder	
BODY - MID SECTION	C-5
• Pedal Cover	
• Floorboard	
• Floormat	
• Rocker Panels	
BODY - REAR	C-7
• Rear Body	
• Rear Splash Shields	
• Seat Support	
• Bagwell Liner	
• Access Panel	
• Scuff Guards	
• Rear Bumper	
BODY - ACCESSORIES	C-11
• Side Baskets	
• Sand Bottle	
• Cooler	
• Soft Swipe	
• Divot Repair	
• Club & Ball Washer	
• Four Bag Attachment	
BRAKES - PEDAL	D-1
• Brake Pedal Pad	
• Brake Pedal Assembly	
• Brake Pedal Return Spring	
• Switches	
BRAKES - MOTOR BRAKE	D - 3
• Motor Brake Assembly	
• Brake Handle	
• Handle Return Spring	

TABLE OF CONTENTS

SECTION	Page No.
ELECTRICAL SYSTEM - MAIN COMPONENTS	E-1
• Main Harness	
• Solenoid	
• Reverse Warning Indicator	
• Run / Tow Switch	
• Run Plug	
• Controller Splash Shield	
• Key Switch	
• Charger Receptacle	
• Solenoid Wires	
ELECTRICAL SYSTEM - BATTERIES	E - 5
• Batteries	
• Battery Tray	
• Battery Hold Down	
• Battery Strap	
• Wires	
ELECTRICAL ACCESSORIES	E-7
• Horn Assembly	
• Horn Button	
• State of Charge Meter	
• Headlights	
• Tail Lights	
• Turn Signal Switch	
• Headlight Switch	
ELECTRONIC SPEED CONTROL	F - 1
• Controller Assembly	
• Resistor Assembly	
• Resistor Mounting Bracket	
• Sensor	
FRONT SUSPENSION - STRUTS	G-1
• Strut Assemblies	
• Spindles	
• A-Arm	
• Front Hub	
• Wheel Bolt	
FRONT SUSPENSION - STEERING	G - 5
• Steering Rack Assembly	
• Steering Column	
• Steering Wheel	
• Score Card Holder	
MOTOR	H-1
• AC Motor	
• Flexloom Sleeve	
REAR AXLE	J - 1
• Axle Assembly	
• Rear Hub	
• Wheel Bolt	
• Axle Shaft	

TABLE OF CONTENTS

SECTION	Page No.
REAR SUSPENSION	K - 1
• Shocks	
• Leaf Spring	
• Shackles	
• Bushings	
SEATING & BASKET- FRONT SEAT	L - 1
• Front Seat Bottom	
• Front Seat Back	
• Hip Restraints	
• Seat Back Support	
• Sweater Basket	
• Bag Strap	
• Bag Strap Clamp	
SEATING - REAR SEAT 2 + 2	L - 4
• Rear Seat Bottom	
• Rear Seat Back	
• Seat Back Support	
• Seat Hinge	
• Arm Rest	
• Rear Seat Floor Board Assembly	
• Seat Belt	
TOW BAR - PERMANENT TOWING VEHICLE	M - 1
• Tow Bar	
• Latch	
• Retainer	
TOW BAR - PERMANENT TOWED VEHICLE	M - 3
• Steering Link	
• Front Casting	
• Spacer	
• Rod Ends	
WEATHER PROTECTION - GOLF CAR SUN TOP	N - 1
• Sun Top	
• Top Struts	
WEATHER PROTECTION - SHUTTLE 2+2	N - 3
• Sun Top	
• Top Struts	
WEATHER PROTECTION - WINDSHIELD	N - 5
• Windshield	
WHEELS AND TIRES	P - 1
• Tires	
• Wheels	
• Lug Nuts	
• Dust Cap	
• Wheel Cover	
FRAME	R - 1
• Frames	
• Seat Frames	

HOW TO USE THE SERVICE PARTS MANUAL

This manual is divided into several sections:

GENERAL INFORMATION

- TABLE OF CONTENTS
- HOW TO USE THE SERVICE PARTS MANUAL

ILLUSTRATED PARTS BREAKDOWN

- Contains illustrations and parts lists for all systems of the vehicle.

USE OF THE MANUAL

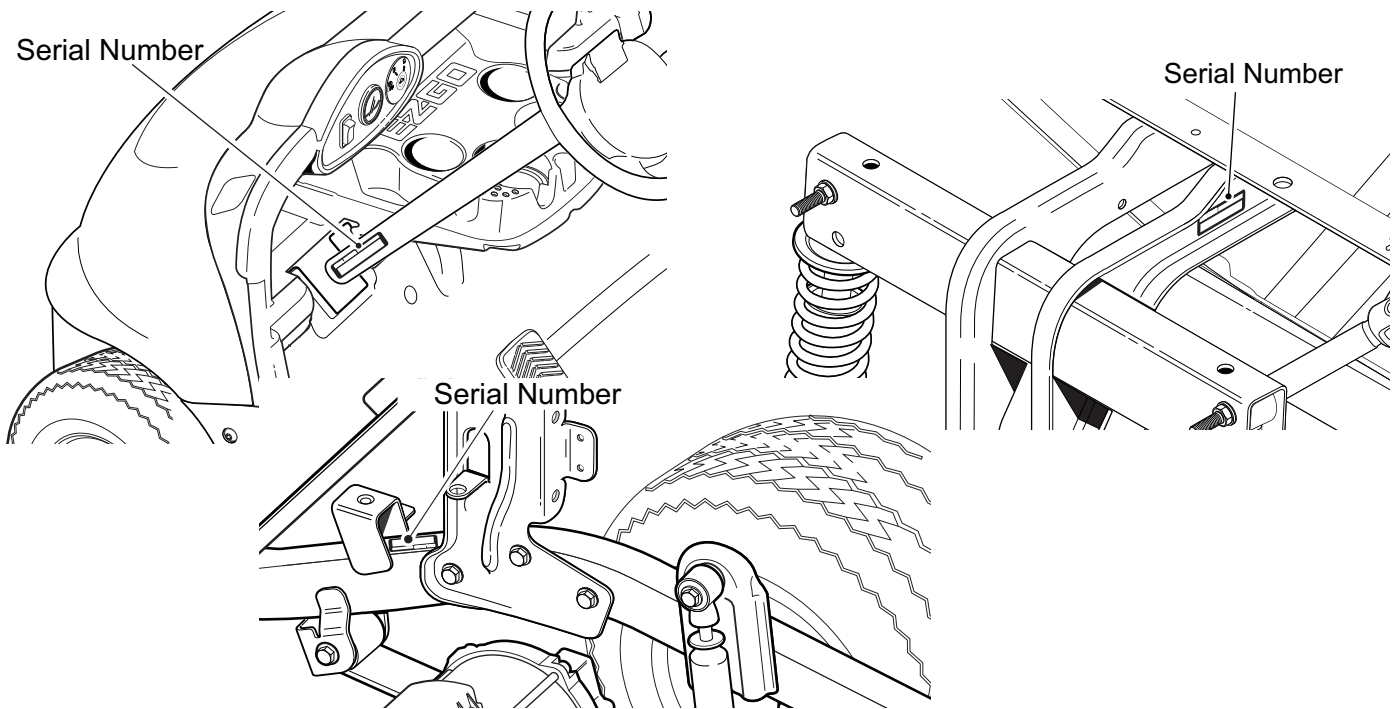
To use this manual, consult the TABLE OF CONTENTS (page iii) to locate the information or illustration required.

Introduction of some revisions varies due to supply of components; therefore, it is possible that various combinations of components may be found that are not directly reflected by each illustration. Consult the illustration that best suits your situation. Locate the serial number. It is important that the serial number of your vehicle and its model number be supplied to Service Parts when ordering any replacement components.

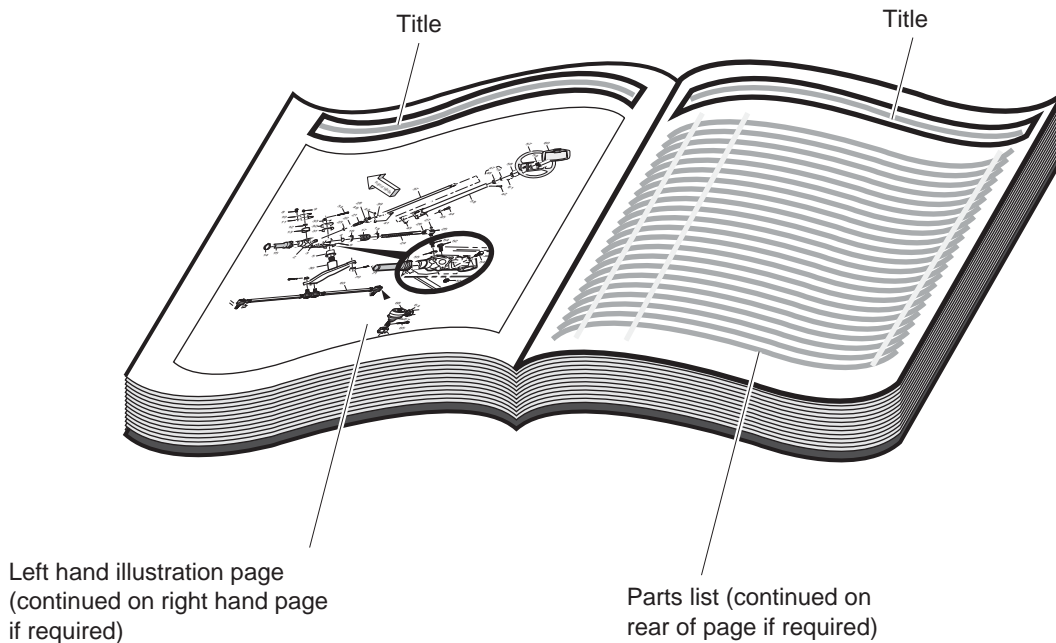
SERIAL NUMBER LOCATION

Three serial number and manufacture date code labels are on the vehicle. One is placed on the steering column, the second is located on the frame member under the front splash shield on the driver side and the third is located on the passenger side frame rail at the rear of the vehicle.

In order to obtain correct components for the vehicle, the manufacture date code, serial number and vehicle model must be provided when ordering service parts.



HOW TO USE THE SERVICE PARTS MANUAL



1. WHEN THE PART NUMBER IS NOT KNOWN

- Determine the function and application of the part required. Turn to the TABLE OF CONTENTS and select the most appropriate component description.
- Turn to the page number indicated and locate the part description in the parts list. Read the full accompanying description for specific information regarding the part that was not shown in the index.
- From the parts list, obtain the item number assigned to it and confirm that the part selected is correct by verifying it with the pictorial representation on the illustrated page.

Should an asterisk (*) appear in the part number column on the parts list page, read upwards until a part number is found. The part number is the lowest assembly sold by Service Parts. The asterisk (*) indicates that the part depicted is not available for purchase.

NOTE: Descriptions are indented under the assembly that they are used on. That assembly is, in turn listed under the assembly that it is used on. This process is repeated until the highest final assembly is reached.

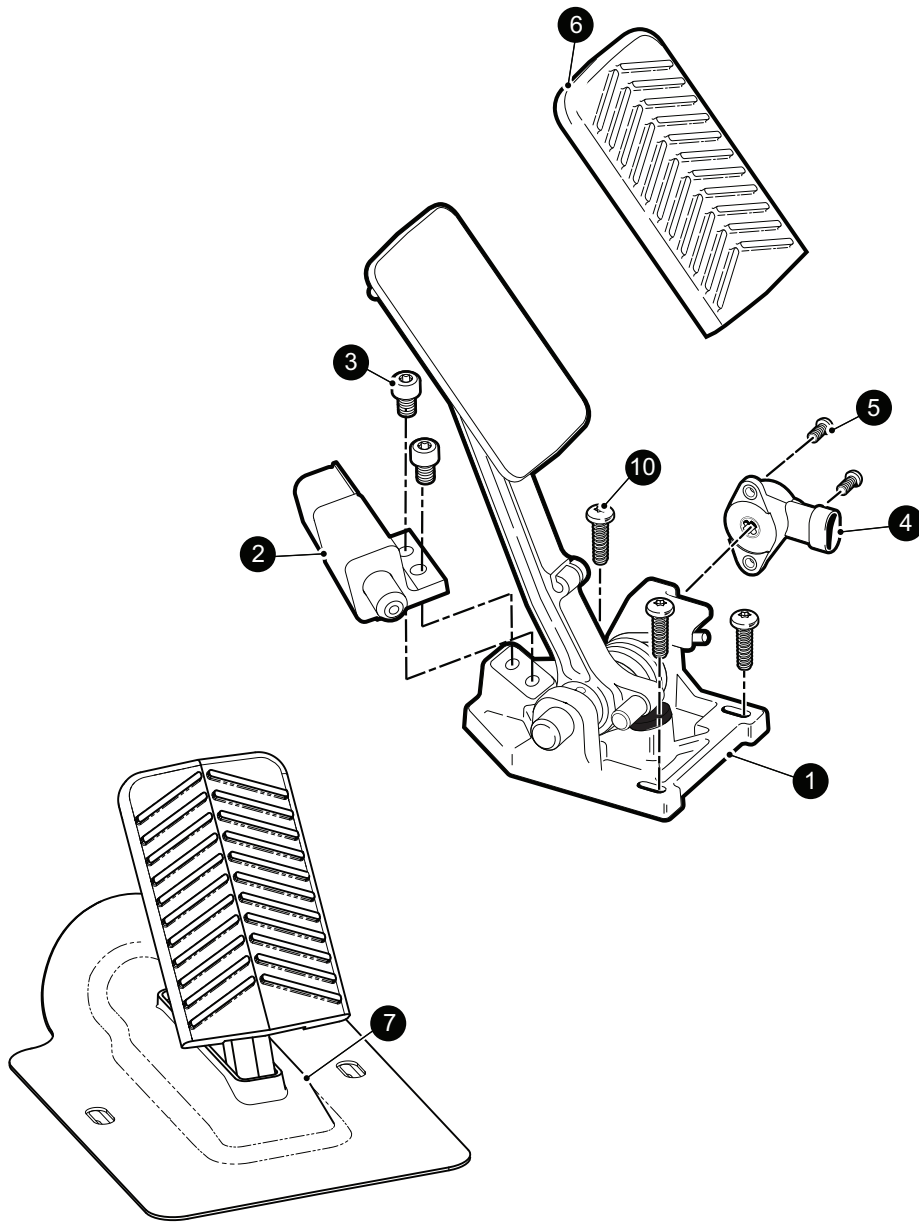
To facilitate the maintenance and repair of the vehicle, a Technician's Repair and Service Manual is available from the Service Parts Department.

ILLUSTRATED PARTS BREAKDOWN

ILLUSTRATED PARTS BREAKDOWN

ACCELERATOR

1 Accelerator Pedal Assembly includes items 2 - 6



ACCELERATOR

When ordering parts, please specify the model and serial number of the product.

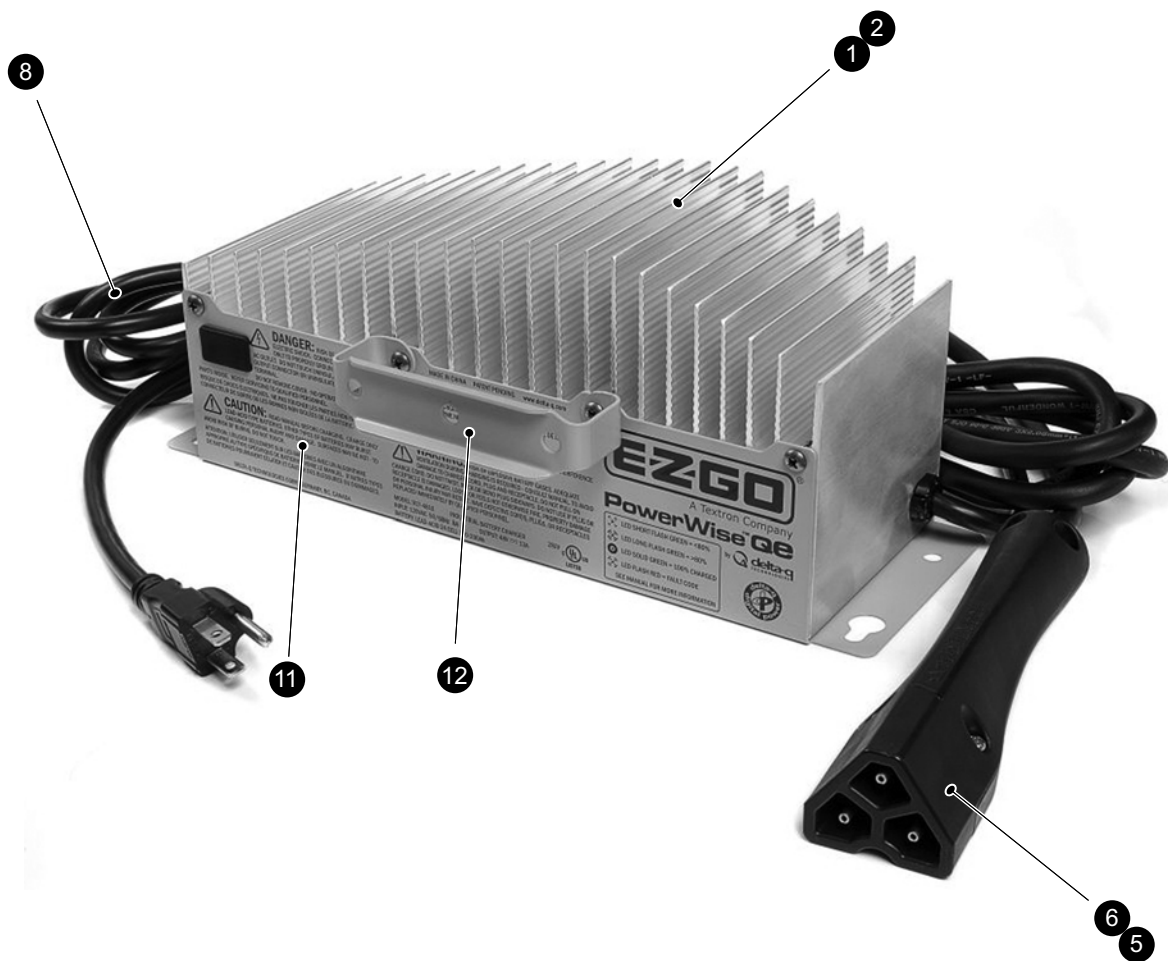
* Indicates a component that is not available as an individual part.

*** Indicates consult Customer Service Department for additional information.

ITEM	PART NO.	1 2 3 4 5	DESCRIPTION	QTY.
1	613268		ACCELERATOR PEDAL ASSEMBLY (includes items 2-6)	1
2	612889		ACCELERATOR PEDAL MOLEX SWITCH	1
3	620030		SOCKET HEAD CAP SCREW, M5 - 0.8 X 10.....	2
4	600019		ROTARY POSITION SENSOR.....	1
5	600543		BUTTON HEAD TORX BOLT, M4 - 0.75 X 12	2
6	610529		ACCELERATOR PEDAL PAD	1
7	614393		ACCELERATOR PEDAL BOOT	1
8				
9				
10	606277		BOSS SCREW, M6 - 1.0 X 25	3

BATTERY CHARGER

- ❶ 48V Battery Charger with 3 meter Cord includes items 5,8,11 & 12
- ❷ 48V Battery Charger with 5.5 meter Cord includes items 6,8,11 & 12



BATTERY CHARGER

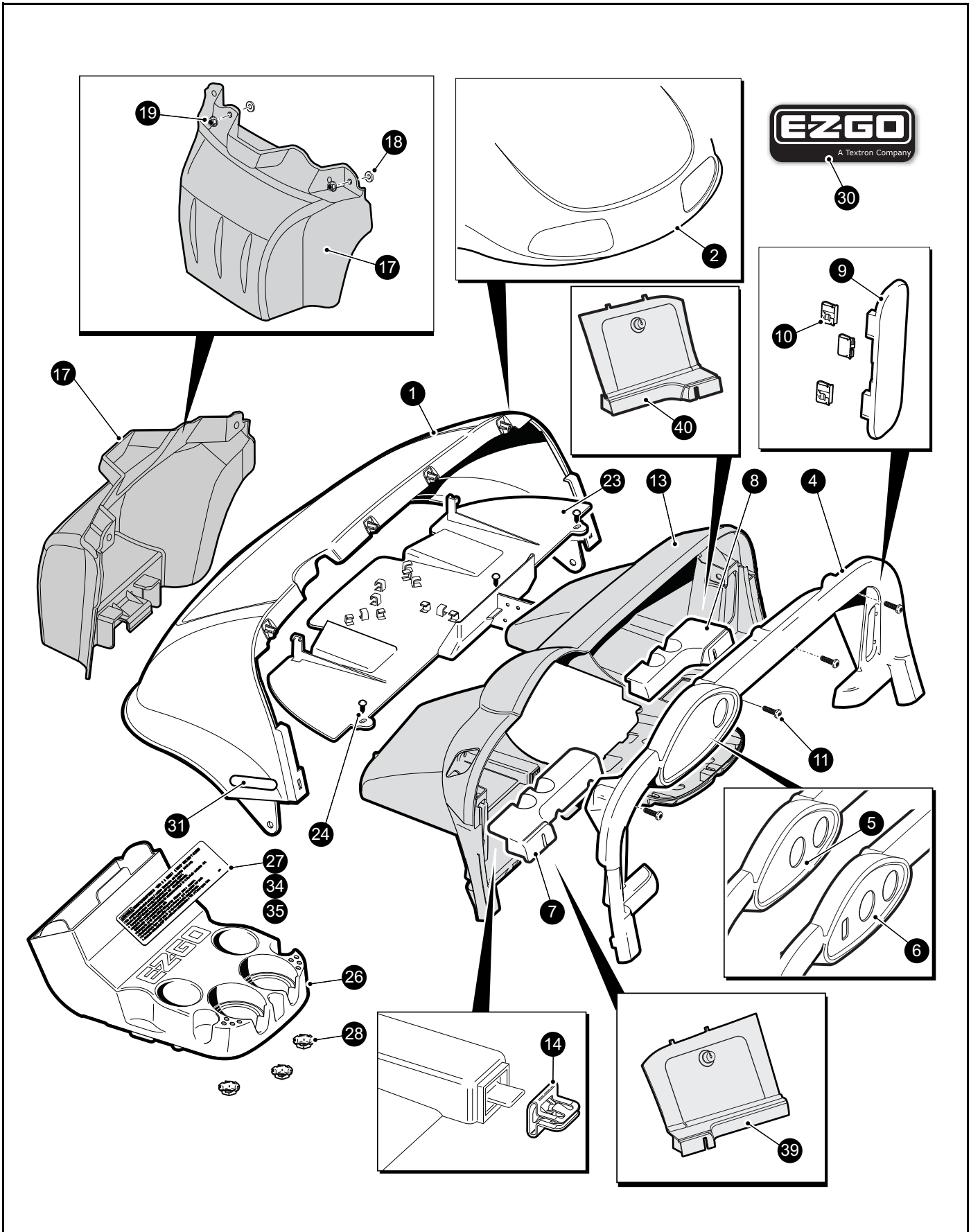
When ordering parts, please specify the model and serial number of the product.

* Indicates a component that is not available as an individual part.

*** Indicates consult Customer Service Department for additional information.

ITEM	PART NO.	1 2 3 4 5	DESCRIPTION	QTY.
1	611200		48V BATTERY CHARGER , 3 meter CORD (includes items 5, 8,11, & 12) ...	1
2	611201		48V BATTERY CHARGER, 5.5 meter CORD (includes items 6, 8, 11, & 12)	1
3				
4				
5	611218		DC CORD, 3 meters (INCLUDES STRAIN RELIEF)	1
6	611219		DC CORD, 5.5 meters (INCLUDES STRAIN RELIEF)	1
7				
8	611212		AC CORD, DOMESTIC	1
9				
10				
11	611220		48V CHARGER COVER KIT (includes item 12)	1
12	611216		CHARGER HANDLE.....	1
13				

BODY



When ordering parts, please specify the model and serial number of the product.

* Indicates a component that is not available as an individual part.

*** Indicates consult Customer Service Department for additional information.

ITEM	PART NO.	1 2 3 4 5	DESCRIPTION	QTY.
1	6XXXXX***		FRONT COWL, WITHOUT HEADLIGH OPENING (see colors below) 606953 IVORY 606954 FORREST GREEN 606955 PATRIOT BLUE 606956 BLACK 606957 MOLTEN RED 606958 BRIGHT WHITE 606959 FLAME RED 606960 STEEL BLUE 608476 PLATINUM 608477 ALMOND 608493 ELECTRIC BLUE 608494 INFERNO RED	1
2	6XXXXX***		FRONT COWL, WITH HEADLIGHT OPENING (see colors below) 620227 IVORY 620228 FORREST GREEN 620229 PATRIOT BLUE 620230 BLACK 620231 MOLTEN RED 620232 BRIGHT WHITE 620233 FLAME RED 620234 STEEL BLUE 608478 PLATINUM 608479 ALMOND 608516 ELECTRIC BLUE 608517 INFERNO RED	1
3				
4	600242		INSTRUMENT PANEL TRIM, OPENING FOR KEY SWITCH ONLY	1
5	608808		INSTRUMENT PANEL TRIM, OPENING FOR KEY SWITCH & SOC	1
6	608864		INSTRUMENT PANEL TRIM, OPENING FOR KEY SW, SOC & LIGHT SW.	1
7	600243		BALL HOLDER INSERT, DRIVER SIDE.....	1
8	600241		BALL HOLDER INSERT, PASSENGER SIDE	1
9	602388		ACCESS COVER ASSEMBLY (includes item 10).....	1
10	602100		U-CLIP	3
11				

BODY

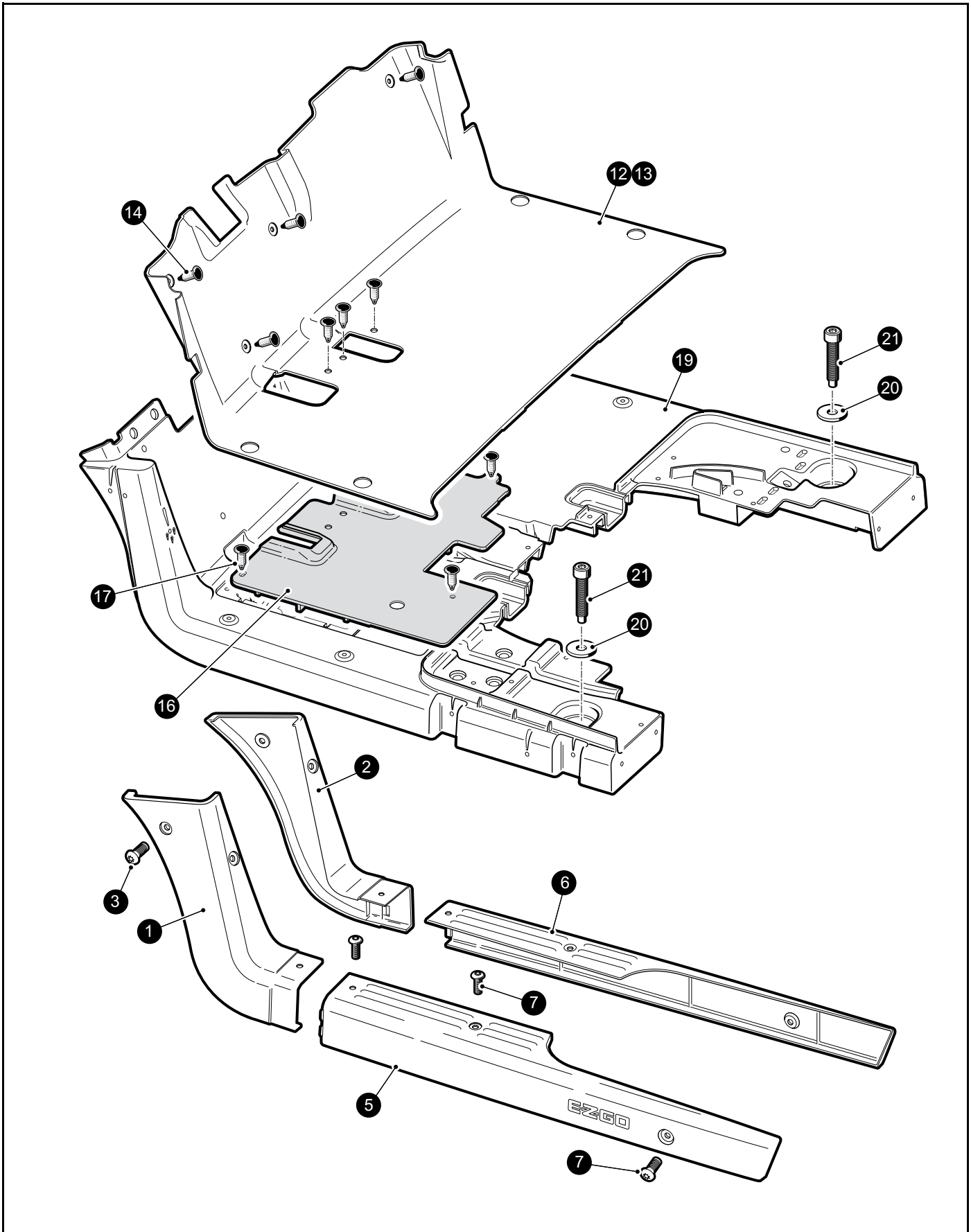
When ordering parts, please specify the model and serial number of the product.

* Indicates a component that is not available as an individual part.

*** Indicates consult Customer Service Department for additional information.

ITEM	PART NO.	1 2 3 4 5	DESCRIPTION	QTY.
12				
13	602387		INSTRUMENT PANEL (includes item 14)	1
14	602184		SPRING CLIP	4
15				
16				
17	605935		FRONT BUMPER.....	1
18	604066		FLAT WASHER, M10 (O.D. 30, I.D. 10.5, THK. 1.75).....	1
19	600525		FLANGED HEX NUT WITH PLASTIC INSERT, M10-1.5.....	1
20				
21				
22				
23	601634		FRONT SPLASH GUARD	1
24	16816G2		CHRISTMAS TREE RIVET (.25 x .88).....	3
25				
26	602101		CUPHOLDER ASSEMBLY (includes item 27)	1
27	608522		WARNING AND INSTRUCTION DECAL.....	1
28	71597G01		SELF THREADING NUT	3
29				
30	606405		E - Z - GO NAMEPLATE	1
31	608991		YELLOW REFLECTOR, FRONT	2
32				
33				
34	608528		WARNING AND INSTRUCTION DECAL (Freedom vehicles)	1
35	608701		WARNING AND INSTRUCTION DECAL, PICTOGRAMS (CE vehicles).....	1
36				
37				
38				
39	607533		GLOVE BOX, DRIVER SIDE.....	1
40	607131		GLOVE BOX, PASSENGER SIDE	1

BODY



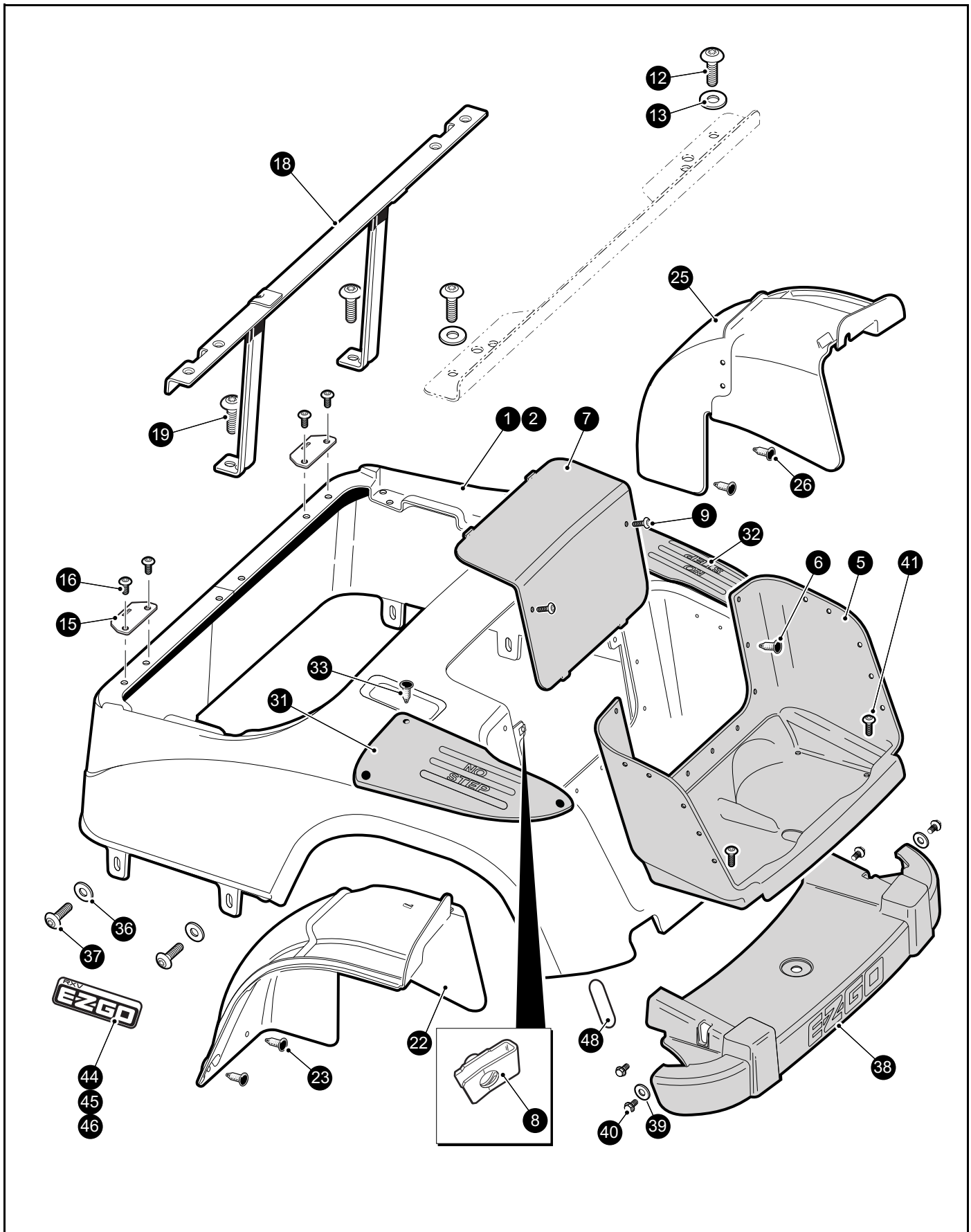
When ordering parts, please specify the model and serial number of the product.

* Indicates a component that is not available as an individual part.

*** Indicates consult Customer Service Department for additional information.

ITEM	PART NO.	1 2 3 4 5	DESCRIPTION	QTY.
1	601257		UPPER ROCKER PANEL, DRIVER SIDE	1
2	601258		UPPER ROCKER PANEL, PASSENGER SIDE	1
3	605957		BUTTON HEAD TORX SCREW, THREAD FORMING, M8	2
4				
5	600253		LOWER ROCKER PANEL, DRIVER SIDE	1
6	600257		LOWER ROCKER PANEL, PASSENGER SIDE	1
7	605957		BUTTON HEAD TORX SCREW, THREAD FORMING, M8	3
8				
9				
10				
11				
12	601118		FLOORMAT WITHOUT HOLE FOR HORN.....	1
13	603707		FLOORMAT WITH HOLE FOR HORN	1
14	16816G2		CHRISTMAS TREE RIVET (.25 X .88).....	5
15	16816G1		CHRISTMAS TREE RIVET (.25 X .68).....	2
16	605277		PEDAL COVER PLATE	1
17	16816G2		CHRISTMAS TREE RIVET (.25 X .88).....	4
18				
19	603798		FLOOR BOARD	1
20	604066		FLAT WASHER, M10 (O.D. 30, I.D. 10.5, THK. 1.75)	2
21	602020		TORX SOCKET HEAD CAP SCREW, M10 - 1.5 X 50	2

BODY



When ordering parts, please specify the model and serial number of the product.

* Indicates a component that is not available as an individual part.

*** Indicates consult Customer Service Department for additional information.

ITEM	PART NO.	1 2 3 4 5	DESCRIPTION	QTY.
1	6XXXXX		REAR BODY ASSEMBLY WITHOUT LIGHT OPENINGS (includes items 5 - 9) (see colors below)..... 620243 IVORY 620244 FORREST GREEN 620245 PATRIOT BLUE 620246 BLACK 620247 MOLTEN RED 620248 BRIGHT WHITE 620249 FLAME RED 620250 STEEL BLUE 608549 PLATINUM 608550 ALMOND 608551 ELECTRIC BLUE 608552 INFERNO RED	1
2	6XXXXX		REAR BODY ASSEMBLY WITH LIGHT OPENINGS (includes items 5-9) (see colors below)..... 620251 IVORY 620252 FORREST GREEN 620253 PATRIOT BLUE 620254 BLACK 620255 MOLTEN RED 620256 BRIGHT WHITE 620257 FLAME RED 620258 STEEL BLUE 608553 PLATINUM 608554 ALMOND 608555 ELECTRIC BLUE 608556 INFERNO RED	1
3				
4				
5	601679		BAGWELL LINER INSERT.....	1
6	16816G2		CHRISTMAS TREE RIVET (.25 X .88)	20
7	600249		REAR BODY ACCESS PANEL	1
8	602409		BARREL CLIP, M6-1	2
9	601326		BUTTON HEAD TORX BOLT, M6 - 1 X 20.....	2
10				

BODY

When ordering parts, please specify the model and serial number of the product.

* Indicates a component that is not available as an individual part.

*** Indicates consult Customer Service Department for additional information.

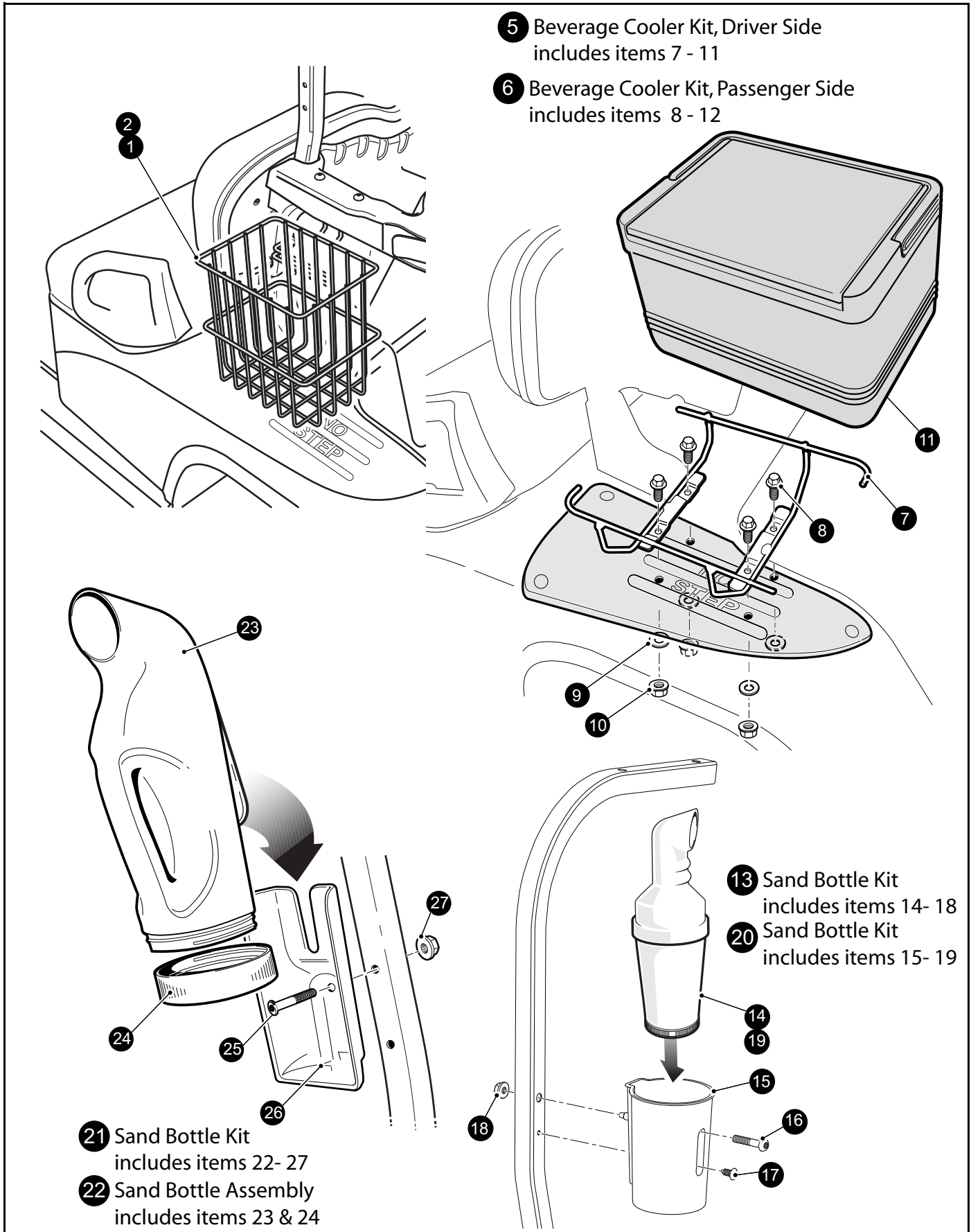
ITEM	PART NO.	1 2 3 4 5	DESCRIPTION	QTY.
11				
12	602572		PAN HEAD TORX BOLT, M10 - 1.5 X 25	2
13	604066		FLAT WASHER, M10 (O.D. 30, I.D. 10.5, THK. 1.75).....	2
14				
15	602558		SEAT HINGE PLATE	1
16	602572		PAN HEAD TORX BOLT, M10 - 1.5 X 25	2
17				
18	601921		FRONT SEAT SUPPORT ASSEMBLY.....	1
19	602572		PAN HEAD TORX BOLT, M10 - 1.5 X 25	2
20				
21				
22	601621		REAR SPLASH GUARD, DRIVER SIDE	1
23	16816G2		CHRISTMAS TREE RIVET (.25 X .88)	4
24				
25	601622		REAR SPLASH GUARD, PASSENGER SIDE	1
26	16816G2		CHRISTMAS TREE RIVET (.25 X .88)	4
27				
28				
29				
30				
31	601865		SCUFF GUARD, DRIVER SIDE.....	1
32	601864		SCUFF GUARD, PASSENGER SIDE	1
33	16816G2		CHRISTMAS TREE RIVET (.25 X .88)	6
34				
35				
36	604066		FLAT WASHER, (O.D. 30, I.D. 10.5, THK. 1.75).....	4
37	605957		BUTTON HEAD TORX SCREW, THREAD FORMING, M8	4
38	603819		REAR BUMPER	1
39	604266		FLAT WASHER, M10 (O.D. 30, I.D. 10.5, THK. 1.75).....	2
40	603799		HEX HEAD FLANGED BOLT, M10 - 1.5 X 25.....	4
41	608313		BUTTON HEAD TORX BOLT, M10 - 1.5 X 25.....	2

When ordering parts, please specify the model and serial number of the product.

* Indicates a component that is not available as an individual part.

*** Indicates consult Customer Service Department for additional information.

ITEM	PART NO.	1 2 3 4 5	DESCRIPTION	QTY.
42				
43				
44	607859		RXV DECAL.....	2
45	610521		E - Z - GO FREEDOM DECAL.....	2
46	607863		E - Z - GO 2 + 2 SHUTTLE DECAL	2
47				
48	608993		RED SIDE REFLECTOR, DRIVER SIDE	1
49	608996		RED SIDE REFLECTOR, PASSENGER SIDE	1
50				
51				
52	608992		RED REAR REFLECTOR, DRIVER SIDE.....	1
53	608998		RED REAR REFLECTOR, PASSENGER SIDE	1



5 Beverage Cooler Kit, Driver Side includes items 7 - 11

6 Beverage Cooler Kit, Passenger Side includes items 8 - 12

21 Sand Bottle Kit includes items 22- 27

22 Sand Bottle Assembly includes items 23 & 24

13 Sand Bottle Kit includes items 14- 18

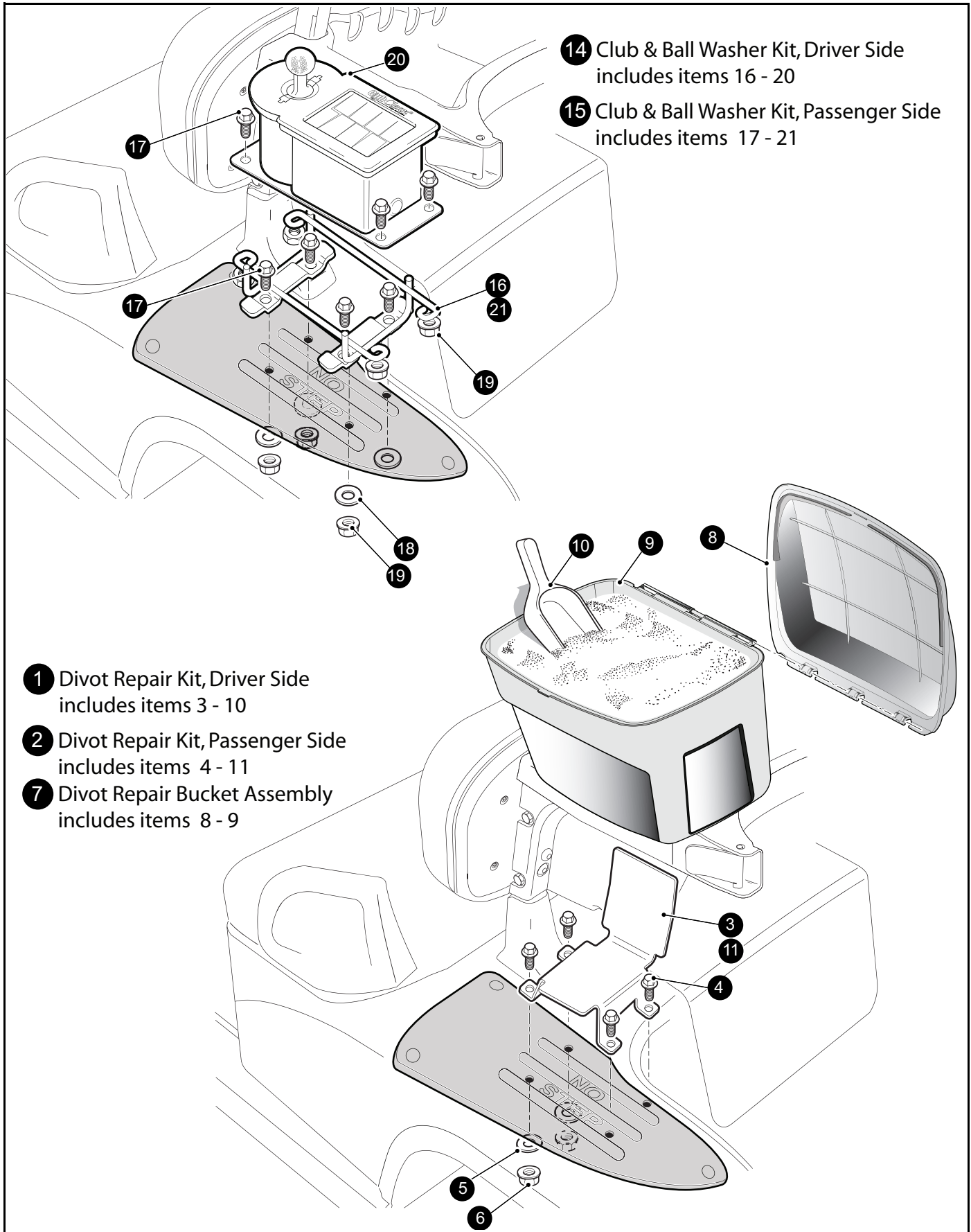
20 Sand Bottle Kit includes items 15- 19

When ordering parts, please specify the model and serial number of the product.

* Indicates a component that is not available as an individual part.

*** Indicates consult Customer Service Department for additional information.

ITEM	PART NO.	1 2 3 4 5	DESCRIPTION	QTY.
1	603846		SIDE BASKET, DRIVER SIDE (use existing hardware).....	1
2	603702		SIDE BASKET, PASSENGER SIDE (use existing hardware).....	1
3				
4				
5	603733		BEVERAGE COOLER KIT, DRIVER SIDE (includes items 7 - 11	1
6	604215		BEVERAGE COOLER KIT, PASSENGER SIDE (includes items 8 - 12)	1
7	603706		MOUNTING BRACKET, DRIVER SIDE	1
8	606256		FLANGED HEX HEAD BOLT, M10 - 1.5 X 34	4
9	608520		POLYPROPYLENE WASHER.....	4
10	606274		FLANGED HEX NUT, M10 - 1.25	4
11	601366		BEVERAGE COOLER.....	1
12	603777		MOUNTING BRACKET, PASSENGER SIDE (not shown in illustration) ..	1
13	614179		SAND BOTTLE KIT (includes items 14 - 18)	1
14	600612		SAND BOTTLE ASSEMBLY.....	1
15	28660G01		SAND BOTTLE ASSEMBLY HOLDER.....	1
16	602527		PAN HEAD TORX BOLT, M10 - 1.5 X 25	1
17	16816G2		RATCHET RIVET, 0.25 X 0.887	1
18	600525		LOCK NUT, M10 - 1.5.....	1
19	28459G01		SAND BOTTLE.....	1
20	614195		SAND BOTTLE KIT (includes items 15 - 19)	1
21	614390		SAND BOTTLE KIT (includes items 22 - 27)	1
22	607102		SAND BOTTLE ASSEMBLY (includes items 23 & 24)	1
23	605961		SAND BOTTLE	1
24	605962		SAND BOTTLE CAP	1
25	602527		TORX BOLT, BHD, M10 - 1.5 X 60.....	1
26	606085		SAND BOTTLE MOUNTING BRACKET	1
27	600525		LOCK NUT, M10 - 1.5.....	1



14 Club & Ball Washer Kit, Driver Side includes items 16 - 20

15 Club & Ball Washer Kit, Passenger Side includes items 17 - 21

1 Divot Repair Kit, Driver Side includes items 3 - 10

2 Divot Repair Kit, Passenger Side includes items 4 - 11

7 Divot Repair Bucket Assembly includes items 8 - 9

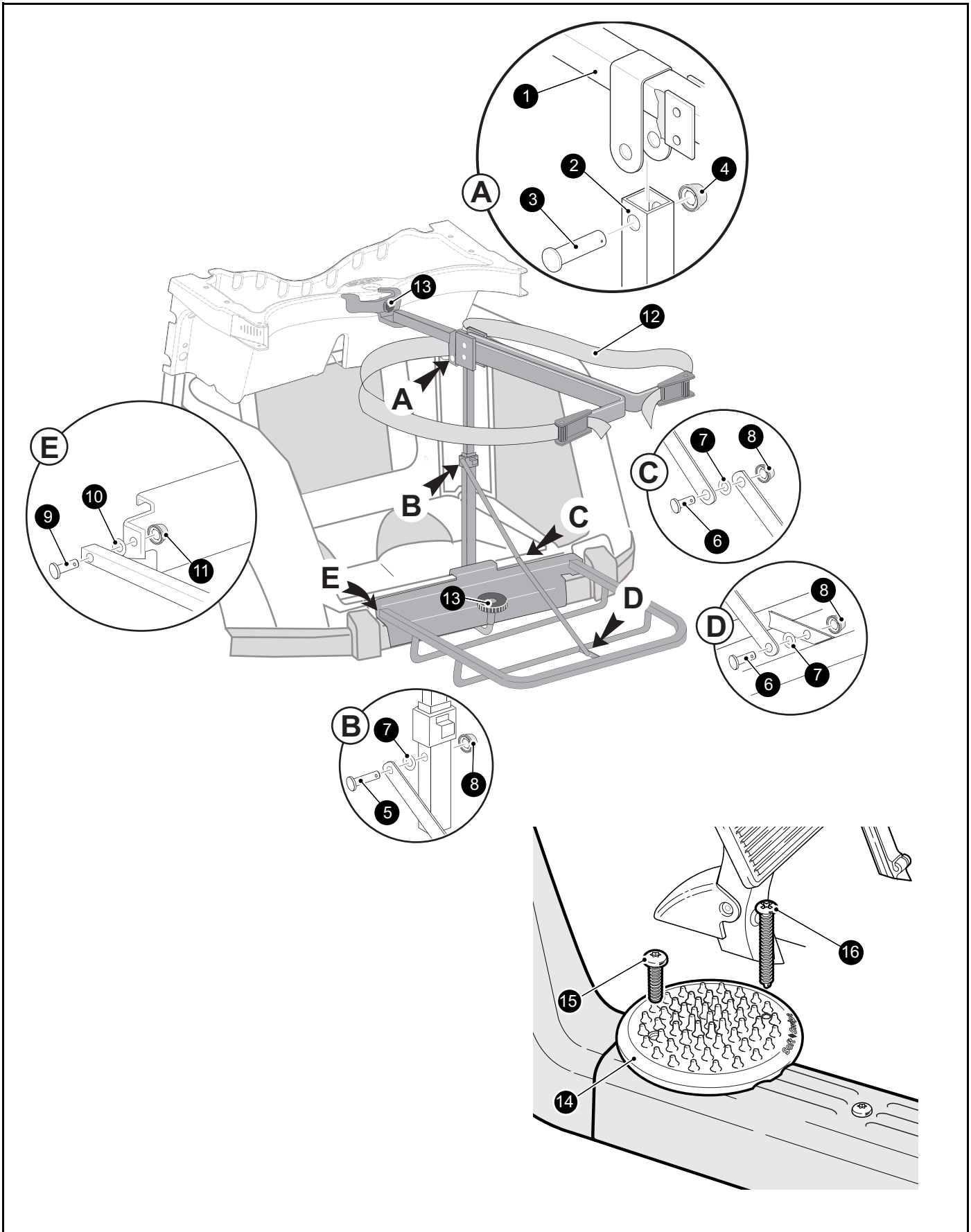
When ordering parts, please specify the model and serial number of the product.

* Indicates a component that is not available as an individual part.

*** Indicates consult Customer Service Department for additional information.

ITEM	PART NO.	1 2 3 4 5	DESCRIPTION	QTY.
1	604214		DIVOT REPAIR KIT, DRIVER SIDE (includes items 3 - 9)	1
2	603250		DIVOT REPAIR KIT, PASSENGER SIDE (includes items 4 - 10).....	1
3	603825		MOUNTING BRACKET, DRIVER SIDE	1
4	606256		FLANGED HEX HEAD BOLT, M10 - 1.5 X 34.....	4
5	608520		POLYPROPYLENE WASHER.....	4
6	606274		FLANGED HEX NUT, M10 - 1.25	4
7	605702		DIVOT REPAIR BUCKET ASSEMBLY (includes items 8 - 9)	1
8	607635		DIVOT REPAIR BUCKET, TOP	1
9	607881		DIVOT REPAIR BUCKET, BOTTOM.....	1
10	604642		SCOOP.....	1
11	603824		MOUNTING BRACKET, PASSENGER SIDE	1
12				
13				
14	604216		CLUB & BALL WASHER KIT, DRIVER SIDE (includes items 16 - 20)	1
15	603252		CLUB & BALL WASHER KIT, PASSENGER SIDE (includes items 17 - 21)...	1
16	604576		MOUNTING BRACKET, DRIVER SIDE	1
17	606256		FLANGED HEX HEAD BOLT, M10 - 1.5 X 25.....	4
18	608520		POLYPROPYLENE WASHER.....	4
19	606274		FLANGED HEX NUT, M10 - 1.25	8
20	603836		CLUB & BALL WASHER	1
21	604577		MOUNTING BRACKET, PASSENGER SIDE	1

BODY



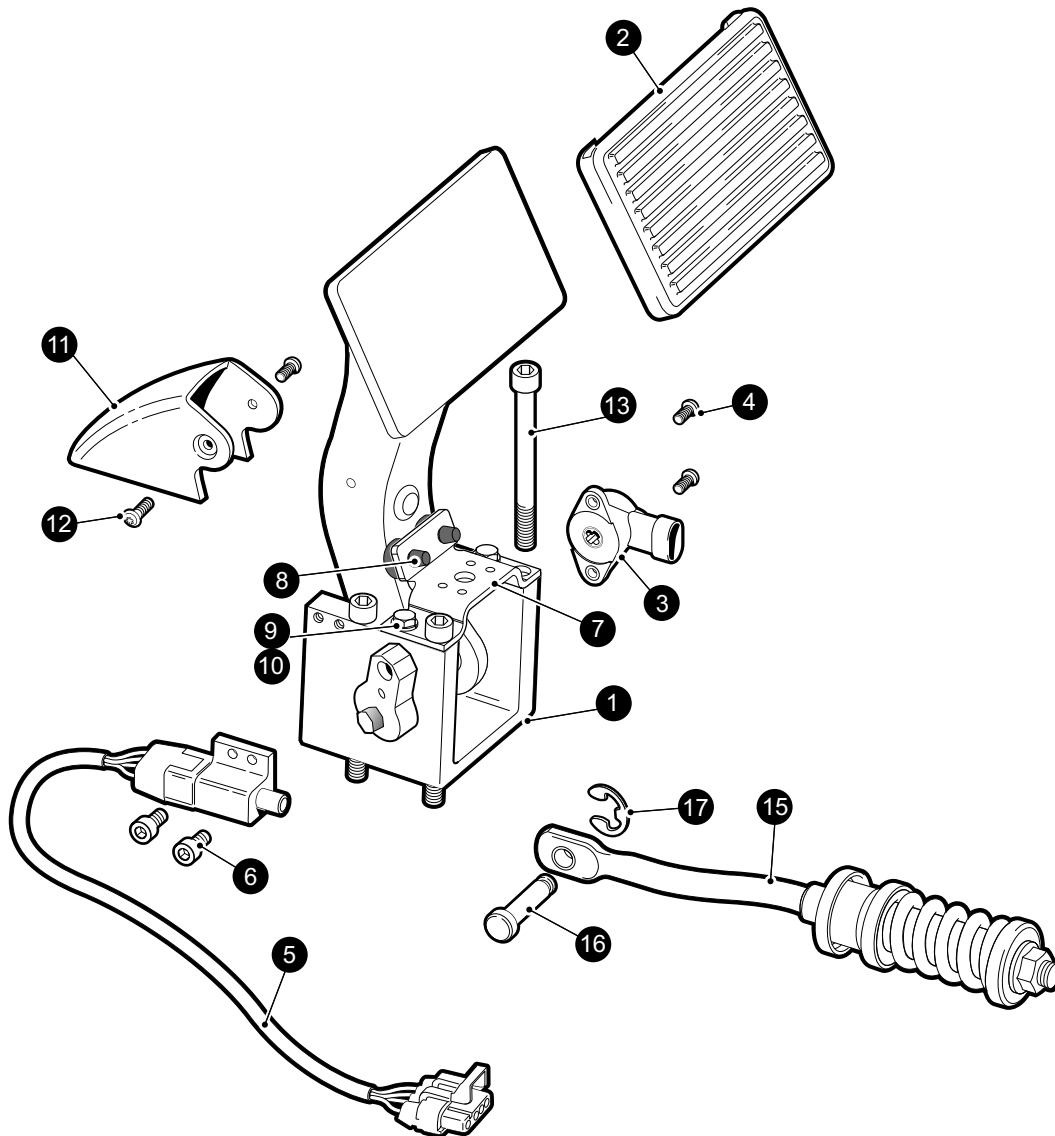
When ordering parts, please specify the model and serial number of the product.

* Indicates a component that is not available as an individual part.

*** Indicates consult Customer Service Department for additional information.

ITEM	PART NO.	1 2 3 4 5	DESCRIPTION	QTY.
1	608949		TOP RACK ASSEMBLY	1
2	608956		BOTTOM RACK ASSEMBLY	1
3	17651G2		CLEVIS PIN 5/16" X 1.250"	1
4	28129G01		CAP NUT 5/16" PLASTIC	1
5	17651G2		CLEVIS PIN 5/16" X 1.250"	1
6	17651G3		CLEVIS PIN 5/16" X 0.625"	2
7	00559G8		FLAT WASHER 5/16"	3
8	28129G01		CAP NUT 5/16" BLACK	3
9	17651G1		CLEVIS PIN 3/8" X 1.250"	2
10	00560G1		FLAT WASHER	2
11	28128G02		CAP NUT 3/8" BLACK	2
12	17641G1		STRAP	2
13	75337G01		KNOB 5/16 - 18 THRU HOLE	2
14	604360		SOFTSWIPE	1
15	605957		BUTTON HEAD TORX SCREW, THREAD FORMING, M8	1
16	620209		PAN HEAD PHILLIPS SCREW, #10 X 2"	1

1 Brake Pedal Assembly includes items 2 - 10

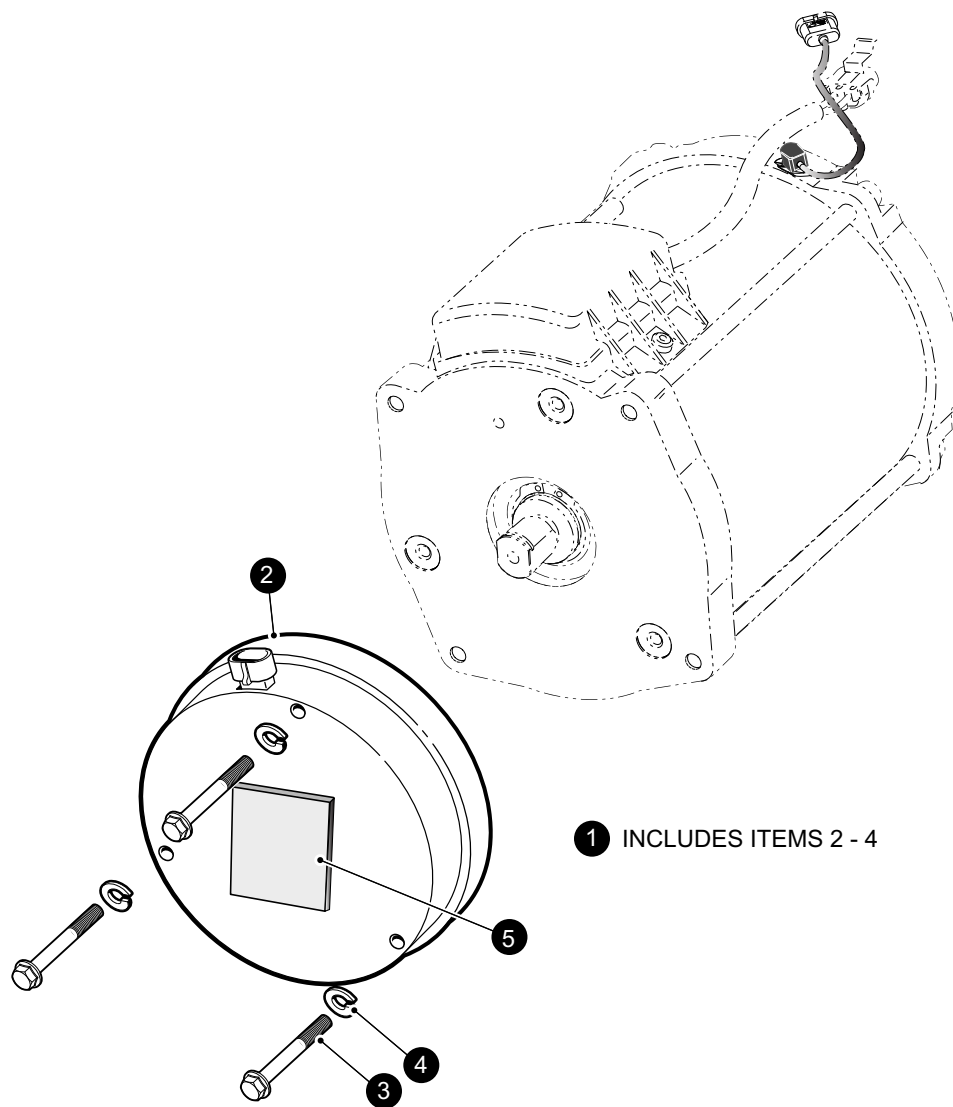


When ordering parts, please specify the model and serial number of the product.

* Indicates a component that is not available as an individual part.

*** Indicates consult Customer Service Department for additional information.

ITEM	PART NO.	1 2 3 4 5	DESCRIPTION	QTY.
1	610675		BRAKE PEDAL ASSEMBLY (electric), (includes items 2 - 10).....	1
2	610471		BRAKE PEDAL PAD	1
3	600019		ROTARY POSITION SENSOR.....	1
4	600543		BUTTON HEAD TORX BOLT, M4 - 7 X 13.....	2
5	607605		BRAKE PEDAL SWITCH	1
6	620030		SOCKET HEAD CAP SCREW, M5 - 0.8 -6g X 10	2
7	609226		SWITCH BUTTON BRACKET	1
8	604097		REBOUND BUMPER	2
9	613231		BOLT, HEX - HD, M6 - 1 X 20.....	2
10	601327		WASHER, SPLK, 6MM.....	2
11	605688		BRAKE PEDAL COVER	1
12	600543		BOLT, HEX - HD, M6 - 1 X 20	2
13	605254		SOCKET HEAD CAP SCREW M8 - 1.25 X 90	4
14				
15	605266		BRAKE PEDAL RETURN SPRING	1
16	601894		CLEVIS PIN	1
17	601835		E-RING, 8mm.....	1

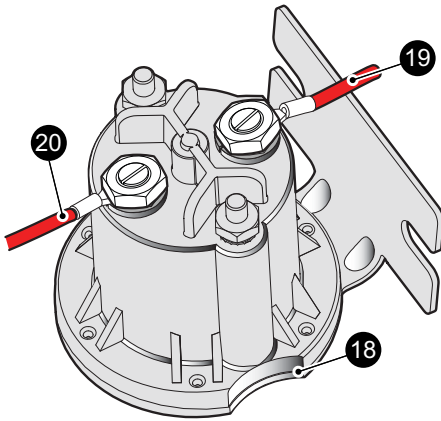


When ordering parts, please specify the model and serial number of the product.

* Indicates a component that is not available as an individual part.

*** Indicates consult Customer Service Department for additional information.

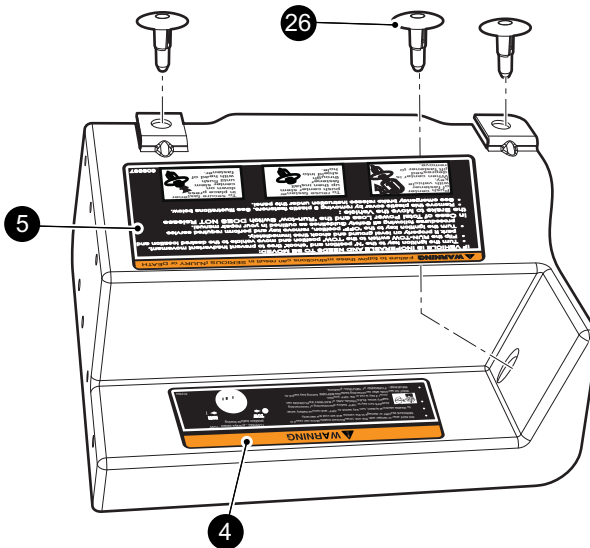
ITEM	PART NO.	1 2 3 4 5	DESCRIPTION	QTY.
1	610065		6" MOTOR BRAKE ASSEMBLY (includes items 2 - 4).....	1
2	610065		6" MOTOR BRAKE.....	1
3	73715G01		FLANGED HEX HEAD SCREW, M6 - 1 X 60	3
4	00664-G7		LOCK WASHER, STAINLESS STEEL, 1/4"	3
5	612842		BRAKE COVER PLATE	1



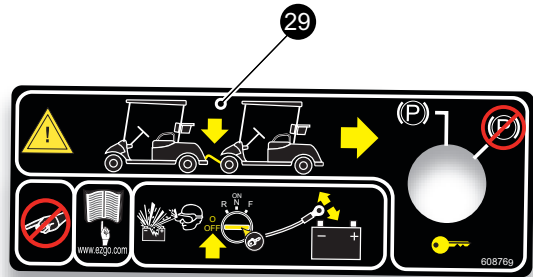
1 Solenoid Electrical Harness (not shown)
(includes items 2, 7, 16 - 20)



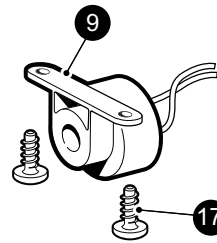
28 CE Run Tow Switch with Key



2 Controller Splash Shield Assembly
(includes items 3 - 6)

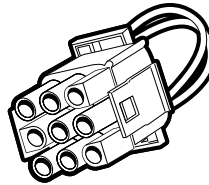


7 Main Electrical Harness (not shown)
(includes items 8, 11, 15)

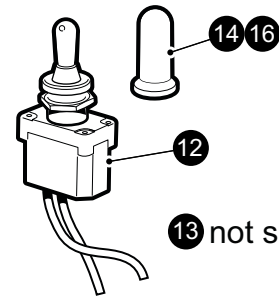


10 not shown

8 Reverse Warning Indicator Kit
(includes items 9 & 10)

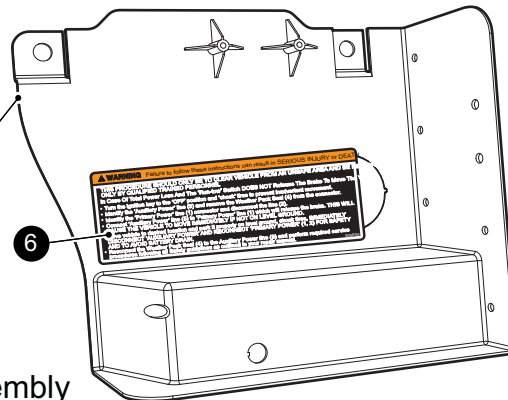


15 Run Plug



13 not shown

11 Run Tow Switch Kit
(includes items 12 - 14)

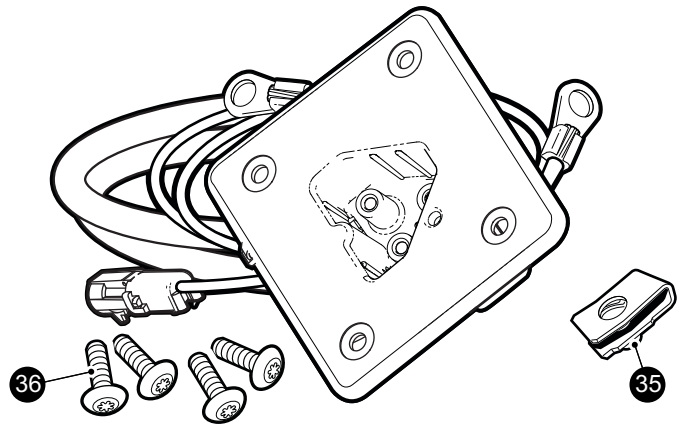
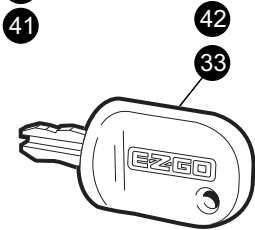
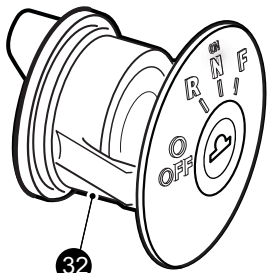


When ordering parts, please specify the model and serial number of the product.

* Indicates a component that is not available as an individual part.

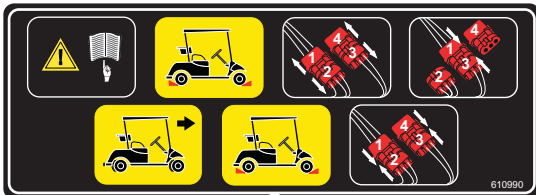
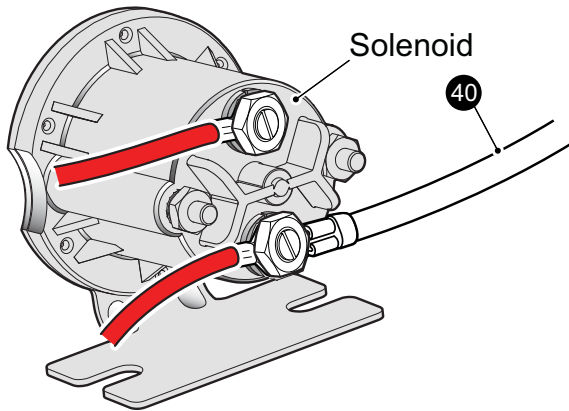
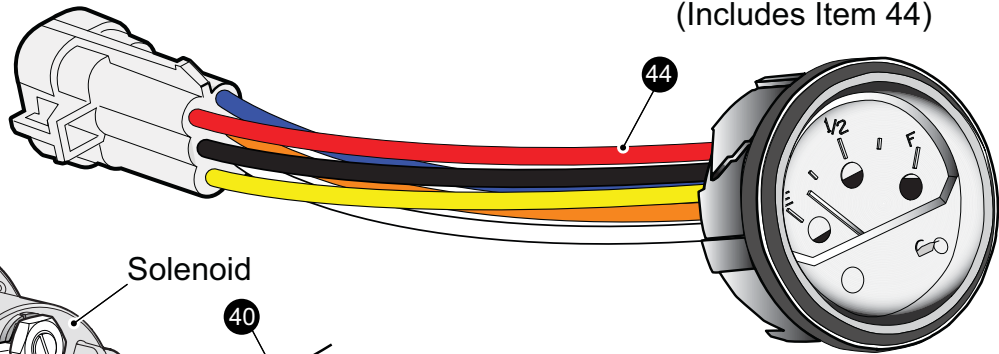
*** Indicates consult Customer Service Department for additional information.

ITEM	PART NO.	1 2 3 4 5	DESCRIPTION	QTY.
1	614535		ELECTRICAL HARNESS ASSEMBLY WITH HD SOLENOID (items 2, 7,16-20)	1
2	612423		CONTROLLER SPLASH SHIELD ASSEMBLY (items 3 - 6).....	1
3	612422		SPLASH SHIELD CONTROLLER	1
4	612594		RUN/TOW SWITCH DECAL	1
5	609987		MAINTENANCE/TOWING DECAL	1
6	609694		TOWING INSTRUCTION NOTICE DECAL	1
7	614529		MAIN ELECTRICAL HARNESS, 48V (items 8, 11 , 15).....	1
8	608899		REVERSE WARNING INDICATOR KIT (items 9-10)	1
9	608882		REVERSE WARNING INDICATOR.....	1
10	608896		WATERPROOF BUTT SPLICE	2
11	608900		RUN/TOW SWITCH KIT (items 12 - 14).....	1
12	606980		RUN TOW SWITCH	1
13	608896		WATERPROOF BUTT SPLICE	2
14	605969		RUBBER BOOT	1
15	608039		RUN PLUG JUMPER.....	1
16	605969		RUBBER BOOT, RUN/TOW SWITCH	1
17	01051-G1		PAN HEAD PHILLIPS SCREW, # 8 - 16	2
18	609428		SOLENOID ASSEMBLY, HEAVY DUTY, 36V.....	1
19	603758		RED WIRE ASSEMBLY, 6 AWG X 687mm	1
20	609760		RED WIRE ASSEMBLY, 6 AWG X 220mm	1
21				
22				
23				
24				
25				
26	610487		PLASTIC RIVET.....	3
27				
28	608810		CE RUN TOW SWITCH WITH KEY	1
29	608769		CE RUN/TOW WARNING DECAL.....	1
30				
31				

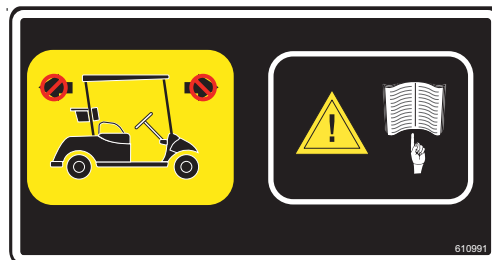


34 Charger Receptacle

43 State of Charge Meter Kit
(Includes Item 44)



47



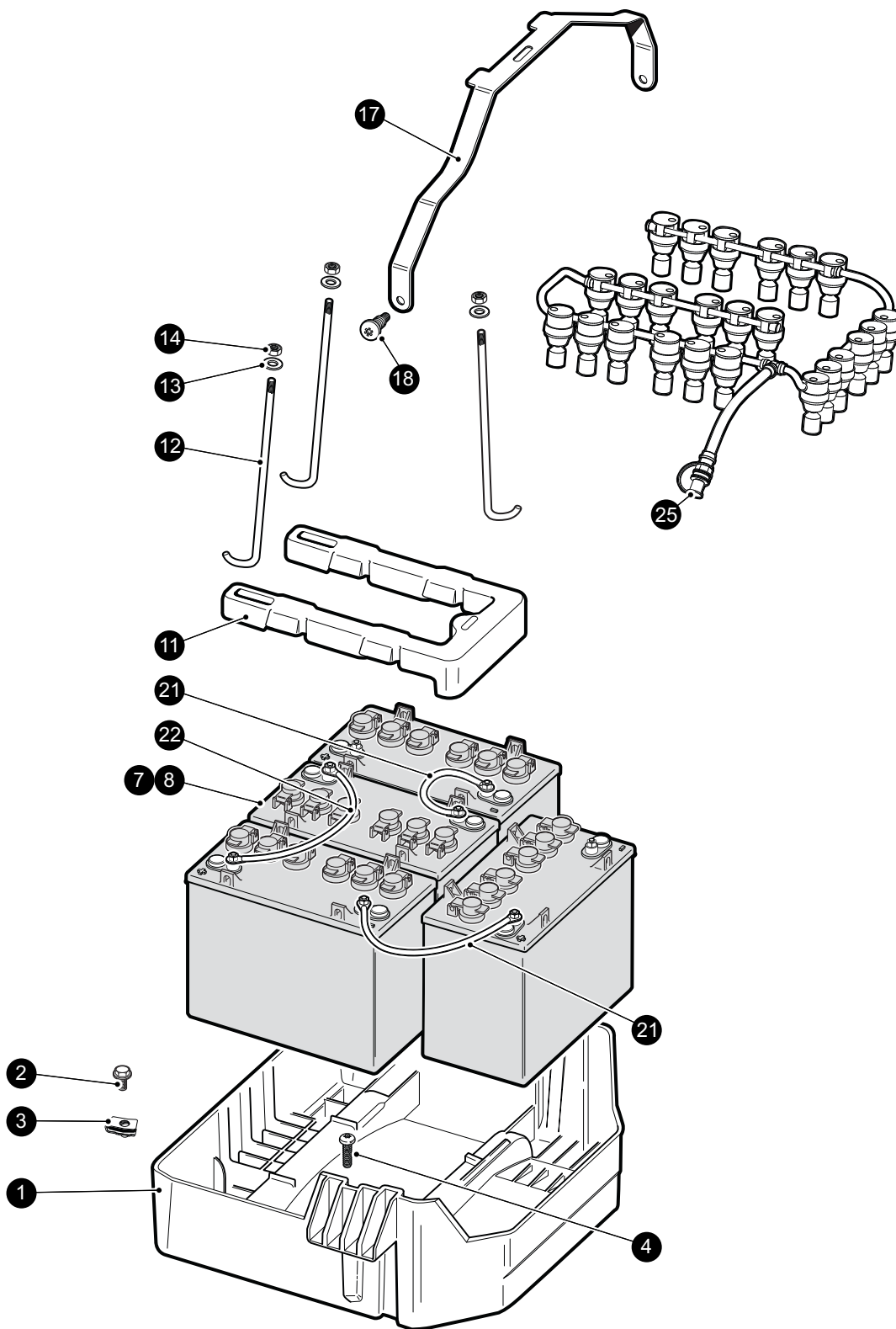
46

When ordering parts, please specify the model and serial number of the product.

* Indicates a component that is not available as an individual part.

*** Indicates consult Customer Service Department for additional information.

ITEM	PART NO.	1 2 3 4 5	DESCRIPTION	QTY.
32	611283		KEY SWITCH, R-N-F	1
33	612956		KEY	1
34	602529		CHARGER RECEPTACLE, 48V DELTA-Q	1
35	602409		BARREL CLIP, M6 - 1	1
36	601326		BUTTON HEAD TORX BOLT, M6-1 X 20	4
37				
38				
39				
40	607707		WHITE WIRE ASSEMBLY, 10 AWG X 260mm.....	1
41	609682		KEY SWITCH, R-N-F	1
42	609680		KEY	1
43	610583		STATE OF CHARGE METER KIT (INCLUDES ITEM 44)	1
44	612314		STATE OF CHARGE METER.....	1
45				
46	610991		CE SPALSH SHEILD WARNING	1
47	610990		CE BRAKE RELEASE DECAL	1

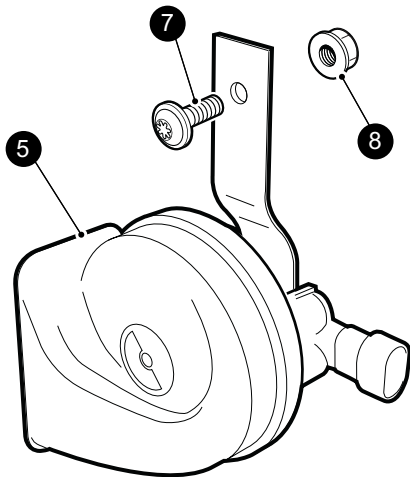


When ordering parts, please specify the model and serial number of the product.

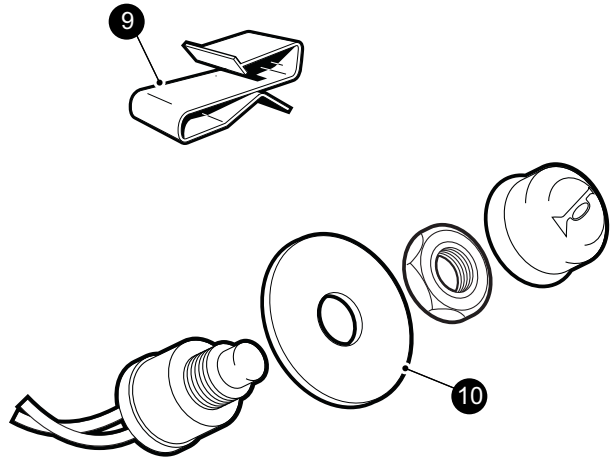
* Indicates a component that is not available as an individual part.

*** Indicates consult Customer Service Department for additional information.

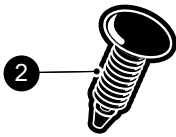
ITEM	PART NO.	1 2 3 4 5	DESCRIPTION	QTY.
1	603064		PLASTIC BATTERY TRAY.....	1
2	603799		FLANGED HEX HEAD BOLT, M10 - 1.5 X 25	2
3	603818		BARREL CLIP, M10 - 1.5	2
4	602572		PAN HEAD TORX BOLT, M10 - 1.5 X 25.....	2
5				
6				
7	602523		12V 140AMP TROJAN BATTERY	1
8	607906		12V 175AMP TROJAN BATTERY	1
9				
10				
11	601695		BATTERY HOLD DOWN	1
12	602896		BATTERY HOLD DOWN ROD	3
13	00571-G2		FLAT WASHER, .38 I.D. X .88 O.D. X .08 THK.....	3
14	11098-G6		LOCK NUT, 5/16 - 18	3
15				
16				
17	608315		BATTERY STRAP	1
18	602572		PAN HEAD TORX BOLT, M10 - 1.5 X 25.....	2
19				
20				
21	602930		BLUE WIRE ASSEMBLY, 6 GA X 261 mm	2
22	607057		BLUE WIRE ASSEMBLY, 6 GA X 325 mm	1
23				
24				
25	609216		BATTERY FILL SYSTEM.....	1
26	608813		NOZZLE GUN	1
27	609540		NOZZLE GUN ADAPTER (to adapt older fill systems to new gun)	1



4 Horn Assembly Kit
(includes items 5 - 10)

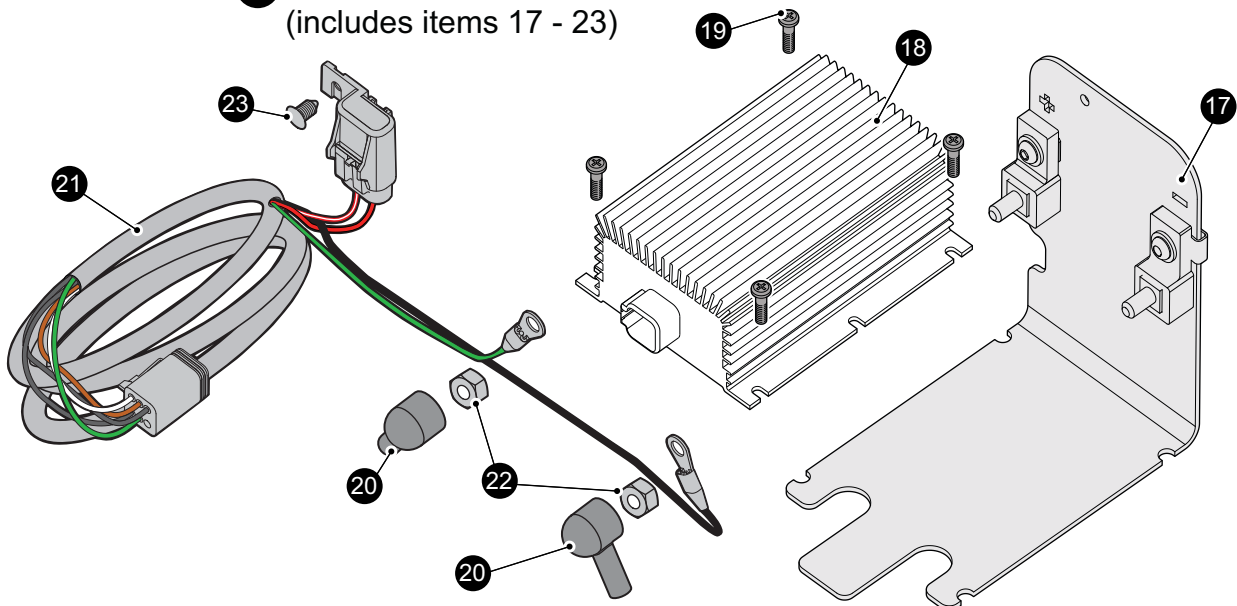


6 Horn Button Switch Assembly



2

16 DC to DC Converter Kit
(includes items 17 - 23)

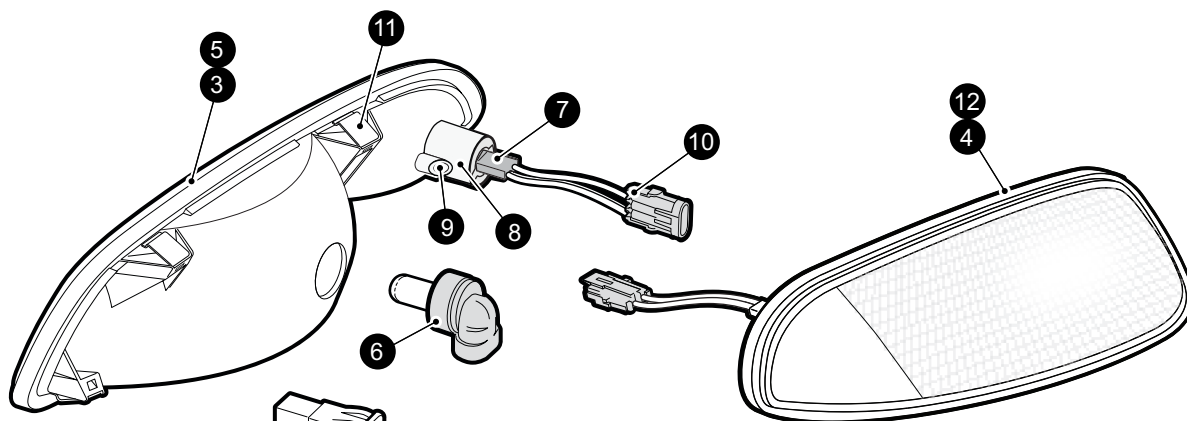


When ordering parts, please specify the model and serial number of the product.

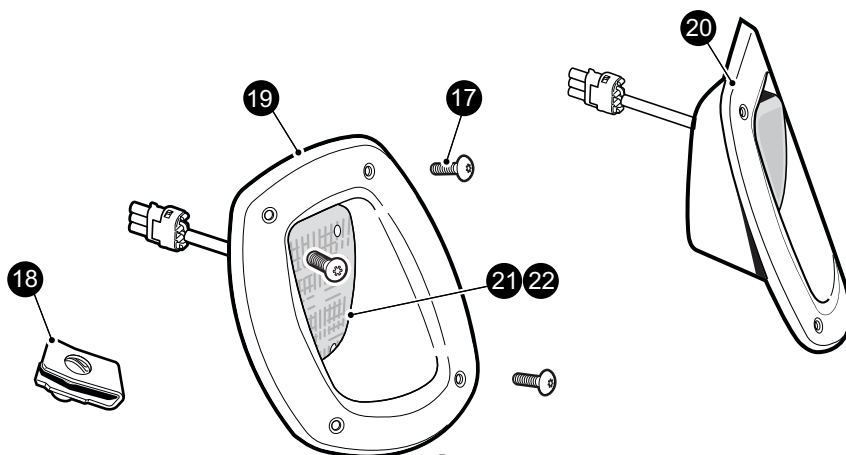
* Indicates a component that is not available as an individual part.

*** Indicates consult Customer Service Department for additional information.

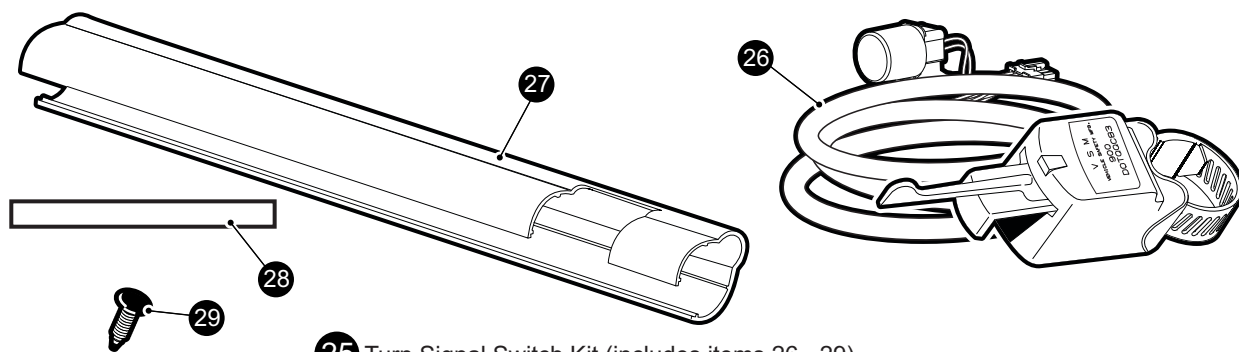
ITEM	PART NO.	1 2 3 4 5	DESCRIPTION	QTY.
1	609714		ACCESSORY HARNESS, ELECTRIC VEHICLE	1
2	16816-G2		CHRISTMAS TREE RIVET, .25 DIA X .88.....	1
3				
4	607528		HORN ASSEMBLY KIT (includes items 5 -10)	1
5	604196		HORN ASSEMBLY	1
6	604193		HORN BUTTON SWITCH ASSEMBLY	1
7	601326		BUTTON HEAD TORX BOLT, M6 - 1 X 20.....	1
8	601476		LOCK NUT, M6 - 1.....	1
9	01072-G01		CABLE CLIP	3
10	608397		HORN PLATE	1
11				
12				
13				
14				
15				
16	608788		DC TO DC CONVERTER KIT (includes items 17 - 23)	1
17	608199		MOUNTING BRACKET	1
18	604884		DC TO DC CONVERTER.....	1
19	608290		PHILLIPS HEAD TAPPING SCREW, #10-16 X .75.....	4
20	25682G01		RUBBER BOOT	2
21	608182		DC TO DC WIRING HARNESS.....	1
22	00702G2		HEX NUT, 5/16-18	2
23	16816G5		CHRISTMAS TREE RIVET, .187 DIA X .55	1



- 1 Headlight Kit (includes items 2 - 12)
- 3 Headlight Assembly, Driver Side (includes items 4 - 11)
- 4 Headlight Assembly, Passenger Side (includes items 5 - 12)



- 15 Tail Light Kit (includes items 16 - 22)
- 16 Tail Light Hardware Kit (includes items 17 & 18)
- 19 Tail Light Assembly, Driver Side (includes items 21 & 22)
- 20 Tail Light Assembly, Passenger Side (includes items 21 & 22)



- 25 Turn Signal Switch Kit (includes items 26 - 29)

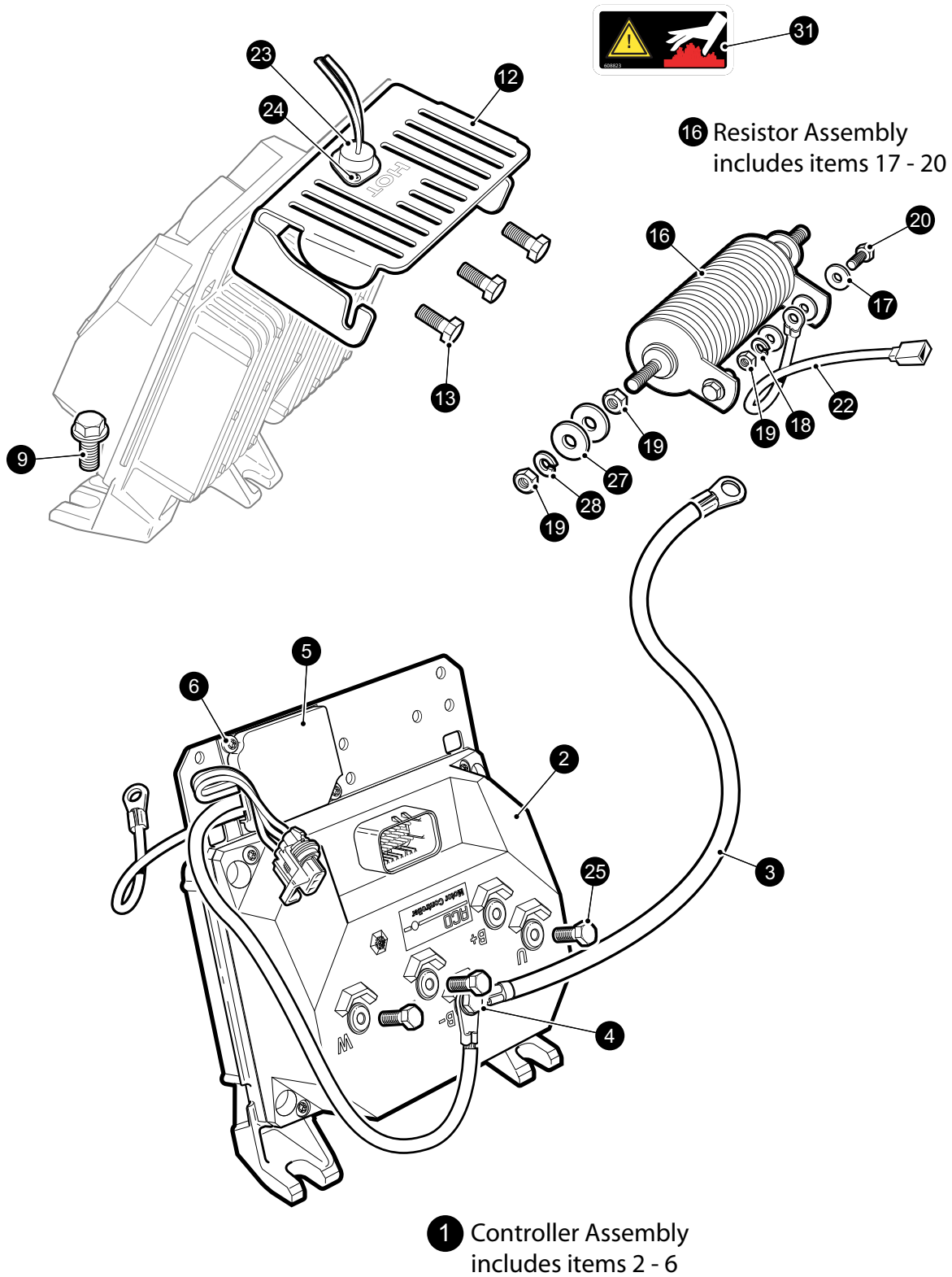
When ordering parts, please specify the model and serial number of the product.

* Indicates a component that is not available as an individual part.

*** Indicates consult Customer Service Department for additional information.

ITEM	PART NO.	1 2 3 4 5	DESCRIPTION	QTY.
1	604019		HEADLIGHT SWITCH	1
2	607445		HEADLIGHT KIT (includes items 2 - 12).....	1
3	607439		HEADLIGHT ASSEMBLY, DRIVER SIDE (includes items 5 - 11	1
4	607438		HEADLIGHT ASSEMBLY, PASSENGER SIDE (includes items 6 - 12.....	1
5	604452		GASKET, DRIVER SIDE	1
6	74004-G01		HEADLIGHT BULB	1
7	604539		TURN SIGNAL BULB.....	1
8	608322		BULB RETAINER.....	1
9	608328		BUTTON HEAD TORX SCREW, PLASTITE	1
10	607487		TURN SIGNAL WIRE HARNESS	1
11	607434		HEADLIGHT RETAINING CLIP	4
12	607437		GASKET, PASSENGER SIDE	1
13				
14				
15	607450		TAIL LIGHT KIT (includes items 16 - 22)	1
16	607474		TAIL LIGHT HARDWARE KIT (INCLUDES ITEMS 17 & 18)	1
17	601326		BUTTON HEAD TORX BOLT, M6 - 1 X 20	8
18	602409		BARRELL CLIP, M6	8
19	603325		TAIL LIGHT ASSEMBLY, DRIVER SIDE (includes items 21 & 22.....	1
20	603326		TAIL LIGHT ASSEMBLY, PASSENGER SIDE (includes items 21 & 22)..	1
21	604311		TAIL LIGHT BULB.....	1
22	604858		TAIL LIGHT LENS.....	1
23				
24				
25	607530		TURN SIGNAL SWITCH KIT (includes items 26 & 29).....	1
26	604511		TURN SIGNAL SWITCH ASSEMBLY	1
27	60965-G3		STEERING COLUMN COVER.....	1
28	608771		RUBBER ISOLATION STRIP	1
29	16816-G5		CHRISTMAS TREE RIVET, .18 X .55	2

ELECTRONIC SPEED CONTROL



ELECTRONIC SPEED CONTROL

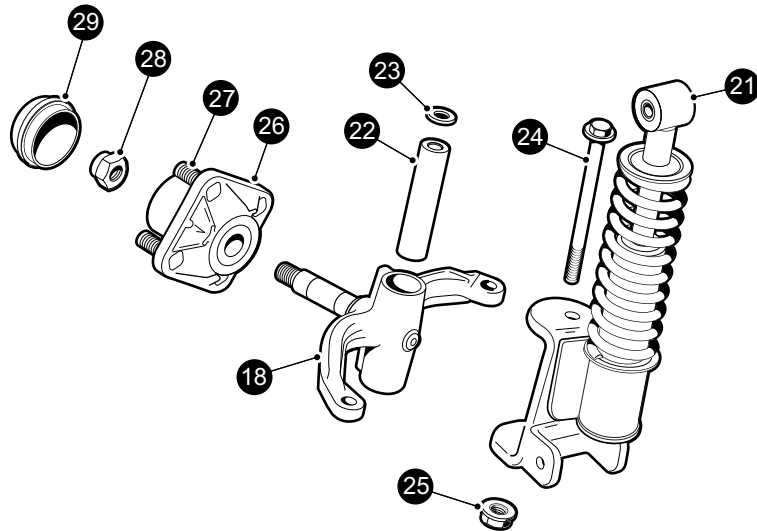
When ordering parts, please specify the model and serial number of the product.

* Indicates a component that is not available as an individual part.

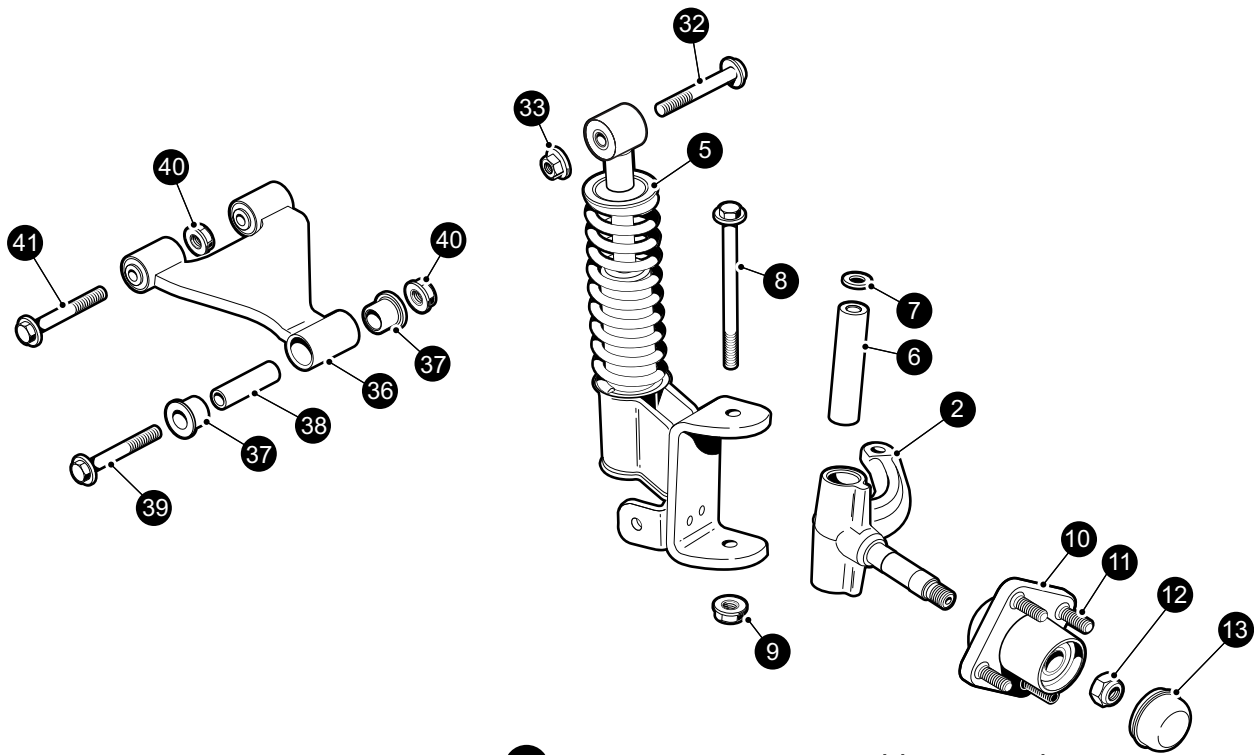
*** Indicates consult Customer Service Department for additional information.

ITEM	PART NO.	1 2 3 4 5	DESCRIPTION	QTY.
1	600083		CONTROLLER ASSEMBLY (includes items 2 - 6)	1
2	604125		CONTROLLER	1
3	603104		6 GA BLACK WIRE, 21.3 inches (541mm)	1
4	610762		HEX HEAD SCREW, M6 - 1 X 12	1
5	608148		RESISTOR CONTROL.....	1
6	608171		PAN HEAD TORX SCREW, M4 X 12	1
7				
8				
9	603799		HEX HEAD FLANGED BOLT, M10 1.5 X 23.....	3
10				
11				
12	607930		RESISTOR MOUNTING BRACKET	1
13	612920		HEX HEAD FLANGED BOLT, M6 - 1 X 25	3
14				
15				
16	607701		RESISTOR, 42 OHM ASSEMBLY (includes items 17 - 20).....	1
17	00571-G2		FLAT WASHER, 5/16	4
18	00565-G8		LOCK WASHER, 5/16	2
19	00532-G3		HEX NUT, 5/16 - 18.....	6
20	00438-G8		HEX HEAD BOLT, 5/16 - 18 X 1.00.....	2
21				
22	608168		18 GA GRAY RESISTOR WIRE ASSEMBLY	1
23	609688		BI-METAL SWITCH KIT	1
24	00614-G4		PAN HEAD PHILLIPS SELF DRILLING SCREW	2
25	610762		HEX HEAD SCREW, M6 - 1 X 12.....	3
26				
27	00571-G2		FLAT WASHER, 5/16.....	4
28	00565-G8		LOCK WASHER, 5/16.....	2
29				
30				
31	608823		HOT SURFACE WARNING LABEL, CE	1

FRONT SUSPENSION



17 Front Suspension Assembly Passenger Side
includes items 18, 21 - 29



1 Front Suspension Assembly Driver Side
includes items 2, 5 - 13

FRONT SUSPENSION

When ordering parts, please specify the model and serial number of the product.

* Indicates a component that is not available as an individual part.

*** Indicates consult Customer Service Department for additional information.

ITEM	PART NO.	1 2 3 4 5	DESCRIPTION	QTY.
1	620671		SHOCK ABSORBER ASSEMBLY, DRIVER SIDE (includes items 2 - 13)	1
2	607413		SPINDLE ASSEMBLY, DRIVER SIDE.....	1
3				
4				
5	601246		STRUT ASSEMBLY, DRIVER SIDE	1
6	614034		KINGPIN TUBE	1
7	601920		THRUST WASHER	1
8	620380		KINGPIN, HEX HEAD FLANGED BOLT, M12 - 1.25 X 145	1
9	600549		HEX NUT, FLANGED, M12 - 1.25	1
10	609603		HUB ASSEMBLY (includes item 11).....	1
11	19862G1		WHEEL STUD.....	4
12	601709		LOCKING HEX NUT, M16 - 2.....	1
13	12091G2		SPINDLE CAP.....	1
14				
15				
16				
17	620672		SHOCK ABSORBER ASSEMBLY, PASSENGER SIDE (inc items 18 - 29) ...	1
18	611271		SPINDLE ASSEMBLY, PASSENGER SIDE	1
19				
20				
21	603024		STRUT ASSEMBLY, PASSENGER SIDE	1
22	614034		KINGPIN TUBE	1
23	601920		THRUST WASHER	1
24	620380		KINGPIN, HEX HEAD FLANGED BOLT, M12 - 1.25 X 145	1
25	600549		HEX NUT, FLANGED, M12 - 1.25	1
26	609603		HUB ASSEMBLY (includes item 27).....	1
27	19862G1		WHEEL STUD.....	4
28	601709		LOCKING HEX NUT, M16 - 2.....	1
29	12091G2		SPINDLE CAP.....	1
30				
31				

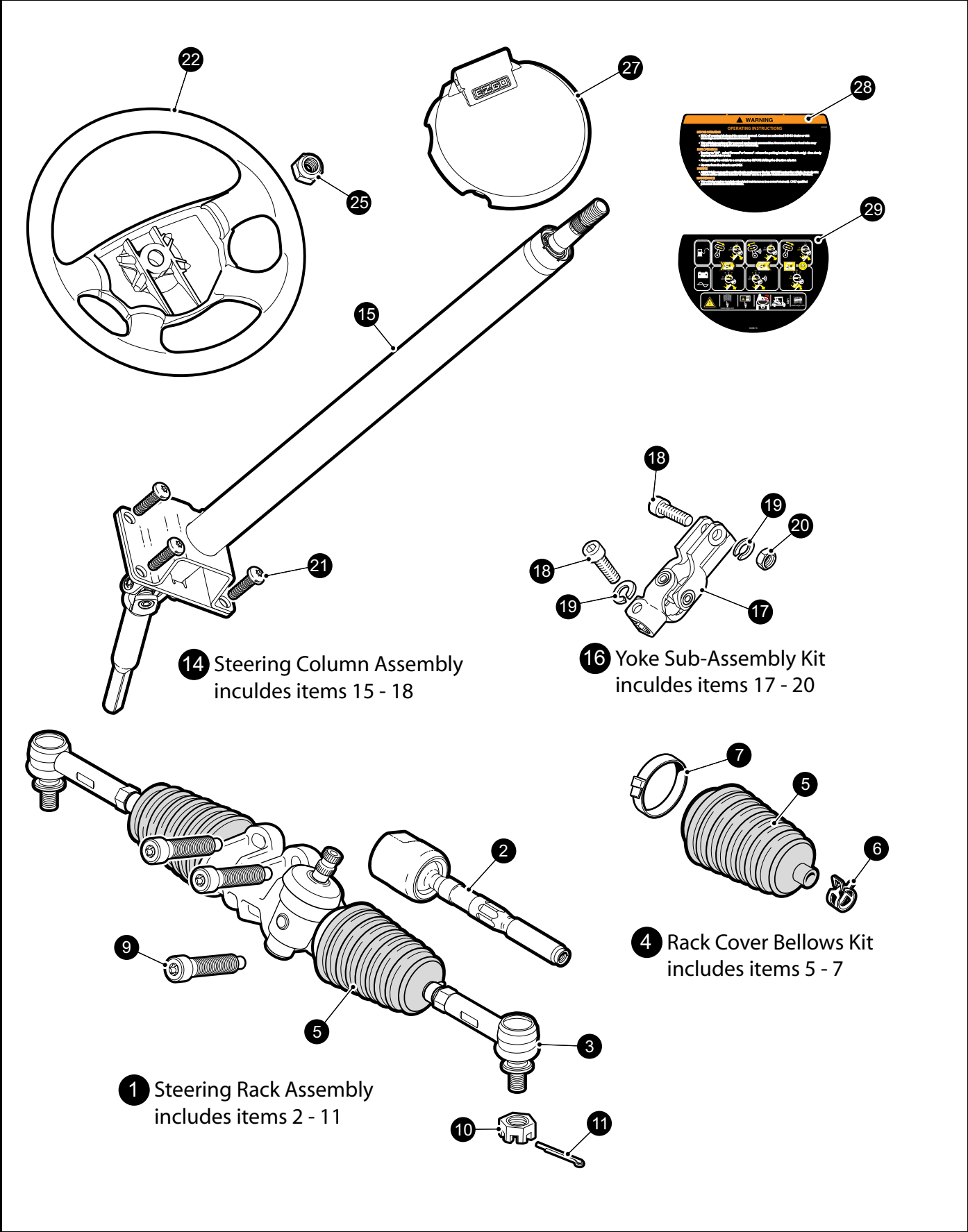
FRONT SUSPENSION

When ordering parts, please specify the model and serial number of the product.

* Indicates a component that is not available as an individual part.

*** Indicates consult Customer Service Department for additional information.

ITEM	PART NO.	1 2 3 4 5	DESCRIPTION	QTY.
32	602415		HEX HEAD FLANGED BOLT, M10 - 1.5 X 80.....	2
33	600525		HEX NUT, FLANGED LOCK, M10 - 1.5	2
34				
35				
36	608089		A-ARM ASSEMBLY	2
37	601340		A-ARM BUSHING.....	4
38	602085		A-ARM CARRIER TUBE	2
39	601754		HEX HEAD FLANGED BOLT, M10 - 1.5 X 90.....	2
40	600525		HEX NUT, FLANGED LOCK, M10 - 1.5	6
41	602415		HEX HEAD FLANGED BOLT, M10 - 1.5 X 80.....	4



14 Steering Column Assembly includes items 15 - 18

16 Yoke Sub-Assembly Kit includes items 17 - 20

1 Steering Rack Assembly includes items 2 - 11

4 Rack Cover Bellows Kit includes items 5 - 7

FRONT SUSPENSION

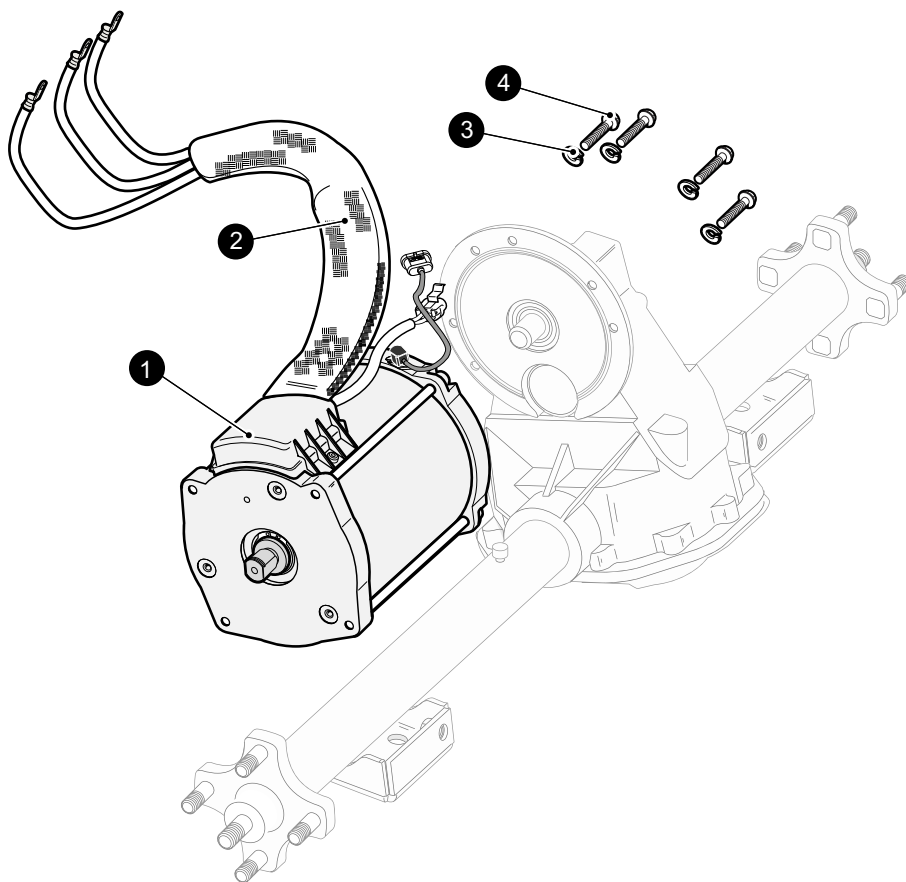
When ordering parts, please specify the model and serial number of the product.

* Indicates a component that is not available as an individual part.

*** Indicates consult Customer Service Department for additional information.

ITEM	PART NO.	1 2 3 4 5	DESCRIPTION	QTY.
1	601500		STEERING RACK ASSEMBLY (includes items 2 - 4).....	1
2	603865		STEERING ROD.....	2
3	604614		ROD END.....	2
4	604615		RACK COVER BELLOWS KIT (includes items 5 - 7).....	2
5	608112		BELLOWS.....	1
6	608108		BELLOWS CLAMP (small end).....	1
7	608109		BELLOWS CLIP (large end).....	1
8				
9	602020		TORX SOCKET HEAD CAP SCREW, M10 - 1.5 X 80.....	3
10	608005		CASTLE HEX NUT, M12 - 1.25.....	2
11	10387-G2		COTTER PIN.....	2
12				
13				
14	600333		STEERING COLUMN ASSEMBLY (includes items 15 - 18).....	1
15	608117		STEERING COLUMN SUB ASSEMBLY.....	1
16	604613		YOKE SUB ASSEMBLY KIT (includes items 17 & 18).....	1
17	608114		STEERING YOKE.....	1
18	608653		SOCKET HEAD BOLT, M10 - 1.5 X 35.....	2
19	608654		LOCK WASHER, M10.5.....	2
20	608655		HEX NUT, M10 - 1.5.....	1
21	602572		PAN HEAD TORX SCREW, TAPTITE M10 - 1.5 X 25.....	4
22	602980		STEERING WHEEL.....	1
23				
24				
25	601709		LOCK NUT, M16 - 2.....	1
26				
27	607925		SCORECARD HOLDER ASSEMBLY.....	1
28	608529		STEERING WHEEL WARNING LABEL.....	1
29	608819		STEERING WHEEL WARNING LABEL, CE.....	1

MOTOR



When ordering parts, please specify the model and serial number of the product.

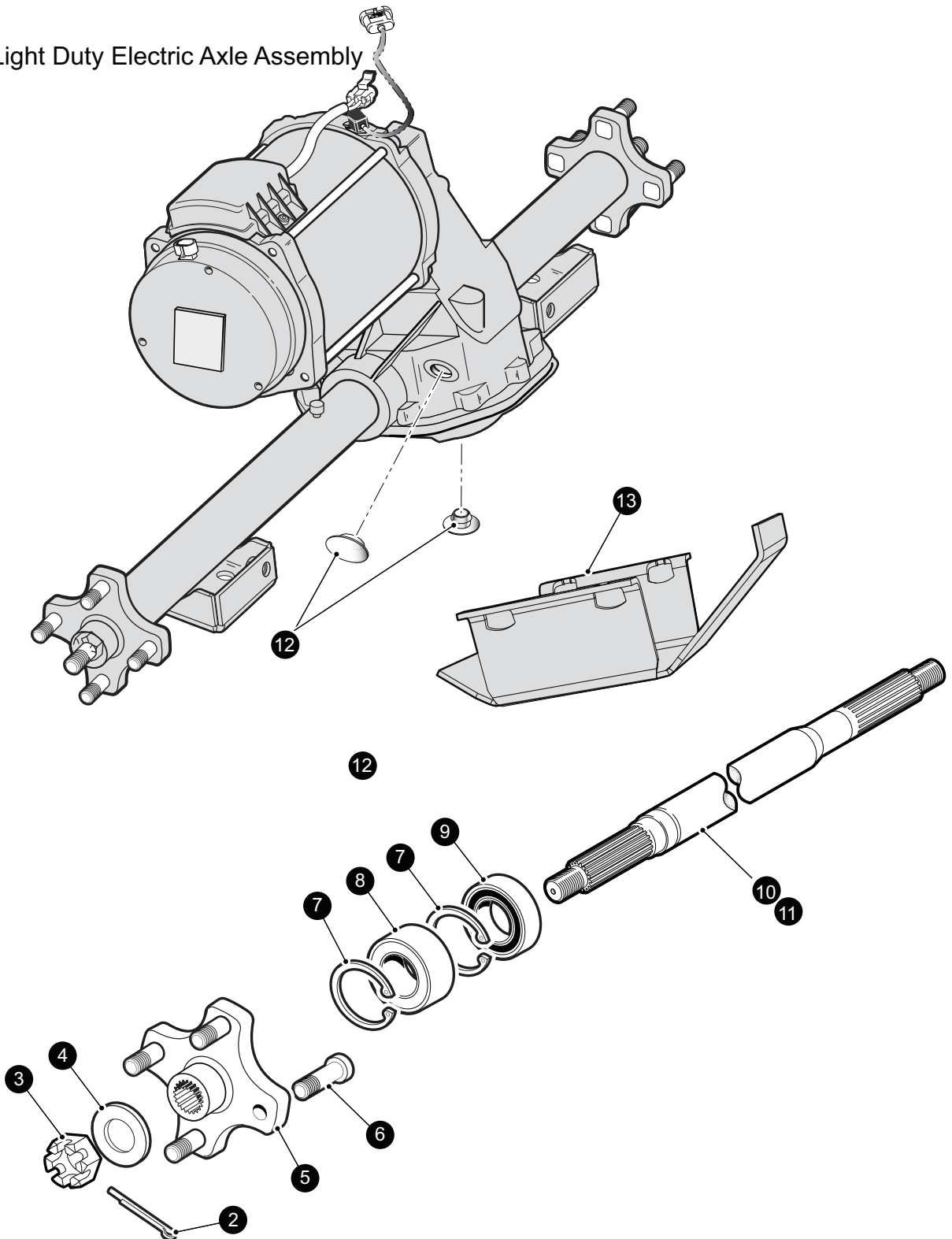
* Indicates a component that is not available as an individual part.

*** Indicates consult Customer Service Department for additional information.

ITEM	PART NO.	1 2 3 4 5	DESCRIPTION	QTY.
1	611355		48V AC ELECTRIC MOTOR.....	1
2	605714		FLEXLOOM SLEEVE.....	1
3	601327		LOCK WASHER, M6.....	6
4	605741		HEX HEAD BOLT, M6 - 1 X 25 (grade 10.9).....	6

REAR AXLE

1 Light Duty Electric Axle Assembly



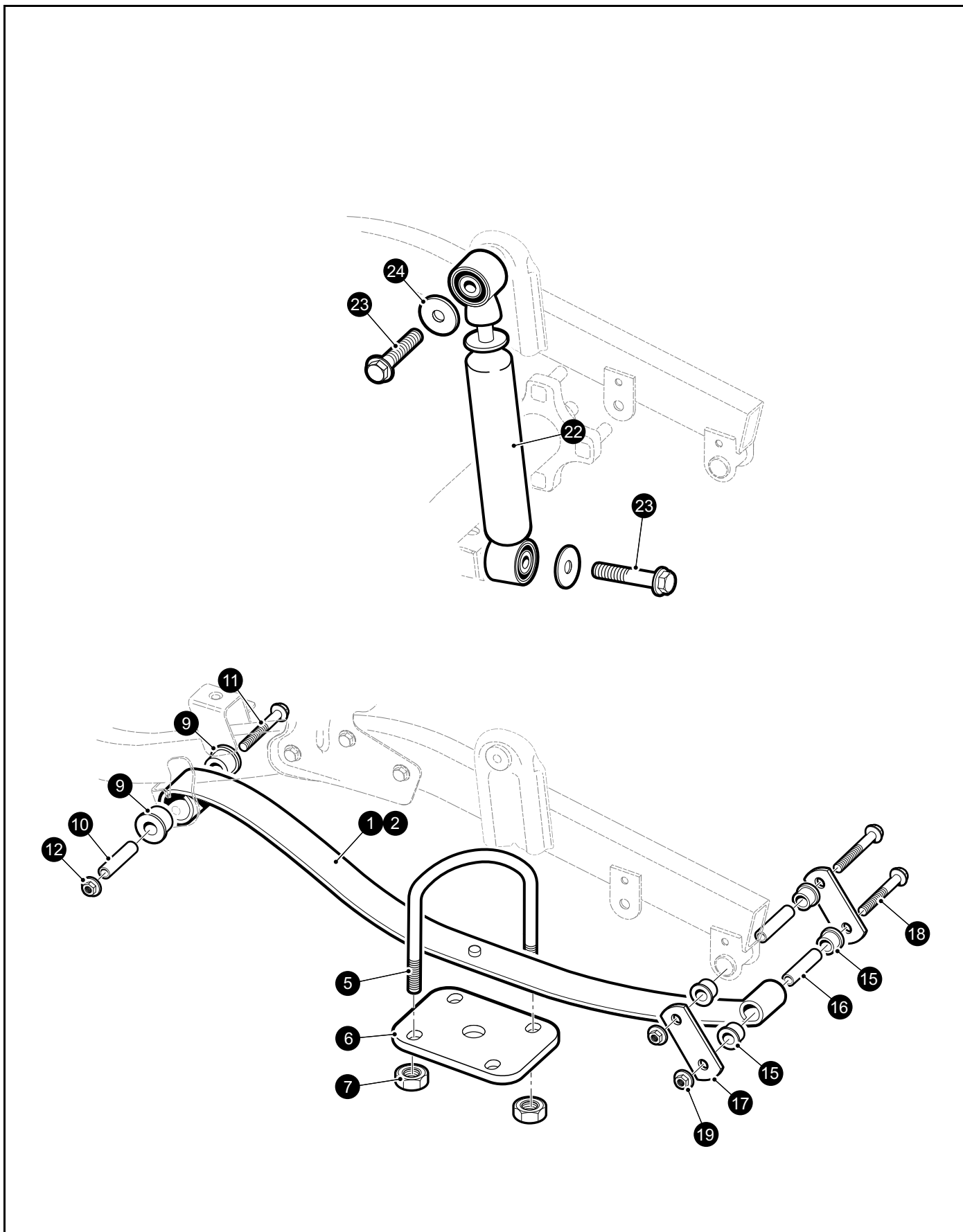
When ordering parts, please specify the model and serial number of the product.

* Indicates a component that is not available as an individual part.

*** Indicates consult Customer Service Department for additional information.

ITEM	PART NO.	1 2 3 4 5	DESCRIPTION	QTY.
1	600357		LIGHT DUTY REAR AXLE ASSEMBLY 16.99:1 (includes items 2 - 11)	1
2	10387G1		COTTER PIN, .12 DIA X 1.25	2
3	15483G1		CASTLE HEX NUT, 5/8 - 16 UNF	2
4	15487G1		FLAT WASHER, .65 X 1.38 X .12	2
5	604112		HUB	2
6	19862G2		WHEEL BOLT, 1/2 - 20 1.72	8
7	620342		RETAINING RING	4
8	620343		BALL BEARING	2
9	620344		OIL SEAL	2
10	620337		AXLE SHAFT, DRIVER SIDE (long)	1
11	620341		AXLE SHAFT, PASSENGER SIDE (short)	1
12	620347		RUBBER PLUG	2
13	72763G02		SCUFF GUARD	1

REAR SUSPENSION



REAR SUSPENSION

When ordering parts, please specify the model and serial number of the product.

* Indicates a component that is not available as an individual part.

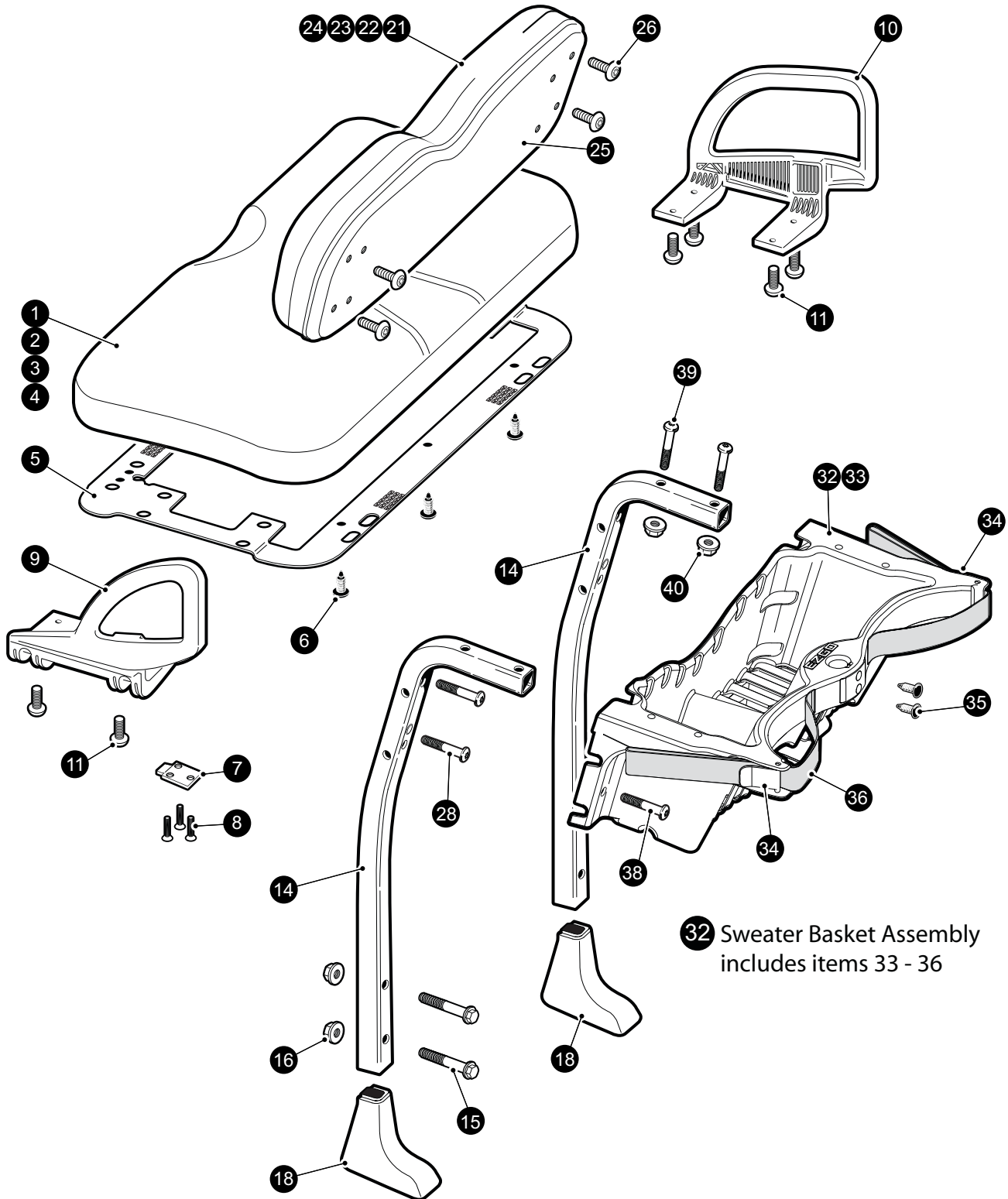
*** Indicates consult Customer Service Department for additional information.

ITEM	PART NO.	1 2 3 4 5	DESCRIPTION	QTY.
1	611713		TAPERED LEAF SPRING.....	2
2	604494		HEAVY DUT TAPERED LEAF SPRING	2
3				
4				
5	603415		U-BOLT	2
6	612765		LEAF SPRING PLATE	2
7	600525		LOCK NUT, M10 - 1.5	4
8				
9	620160		FLANGED URETHANE BUSHING (large).....	4
10	620161		SPLIT STEEL SPACER	2
11	601754		FLANGED HEX HEAD BOLT, M10 - 1.5.....	2
12	600525		LOCK NUT, M10 - 1.5	2
13				
14				
15	70291-G01		FLANGED URETHANE BUSHING (small).....	8
16	620161		SPLIT STEEL SPACER	4
17	603648		SHACKLE PLATE	4
18	601754		FLANGED HEX HEAD BOLT, M10 - 1.5 X 100	4
19	600525		LOCK NUT, M10 - 1.5	4
20				
21				
22	611724		SHOCK ABSORBER	2
23	601414		FLANGED HEX HEAD BOLT, M10 - 1.5 X 65	4
24	604066		FLAT WASHER, 10.5 X 30 X 2.5	4

SEATING & BASKET

1 Seat Bottom Assembly includes items 2 - 11

21 Seat Back Assembly includes items 22 - 26



SEATING & BASKET

When ordering parts, please specify the model and serial number of the product.

* Indicates a component that is not available as an individual part.

*** Indicates consult Customer Service Department for additional information.

ITEM	PART NO.	1 2 3 4 5	DESCRIPTION	QTY.
1	6XXXXX		SEAT BOTTOM ASSEMBLY (select color below), (includes items 2 - 7)	1
			605551 STONE BEIGE SEAT BOTTOM	
			608013 OYSTER SEAT BOTTOM	
2	6XXXXX		SEAT BOTTOM VINYL COVER (select color below)	1
			600221 STONE BEIGE SEAT BOTTOM VINYL COVER	
			608007 OYSTER SEAT BOTTOM VINYL COVER	
3	600503		SEAT BOTTOM FOAM	1
4	600502		SEAT BOTTOM WOODEN BASE ASSEMBLY	1
5	602551		SEAT BOTTOM COVER PLATE	1
6	16816-G2		CHRISTMAS TREE RIVET	4
7	71610-G01		SEAT HINGE	2
8	00720-G08		FLAT HEAD PHILLIPS TAPPING SCREW, #12 - 14 X 1.00	6
9	607532		HIP RESTRAINT, DRIVER SIDE	1
10	607653		HIP RESTRAINT, PASSENGER SIDE	1
11	600530		BUTTON HEAD TORX BOLT, M10 - 1.5 X 25	8
12				
13				
14	602413		SEAT BACK SUPPORT STRUT	2
15	603800		FLANGED HEX HEAD BOLT, M10 - 1.5 X 50	4
16	600525		LOCK NUT, M10 - 1.5	4
17				
18	602112		SEAT BACK SUPPORT STRUT COVER	2
19				
20				
21	6XXXXX		SEAT BACK ASSEMBLY (select color below), (includes items 22 - 26)	1
			605548 STONE BEIGE SEAT BACK ASSEMBLY	
			608012 OYSTER SEAT BACK ASSEMBLY	
22	6XXXXX		SEAT BACK VINYL COVER (select color below)	1
			605537 STONE BEIGE SEAT BACK VINYL COVER	
			608006 OYSTER SEAT BACK VINYL COVER	
23	71754-G01		SEAT BACK FOAM	1
24	605550		SEAT BACK WOODEN BASE ASSEMBLY	1

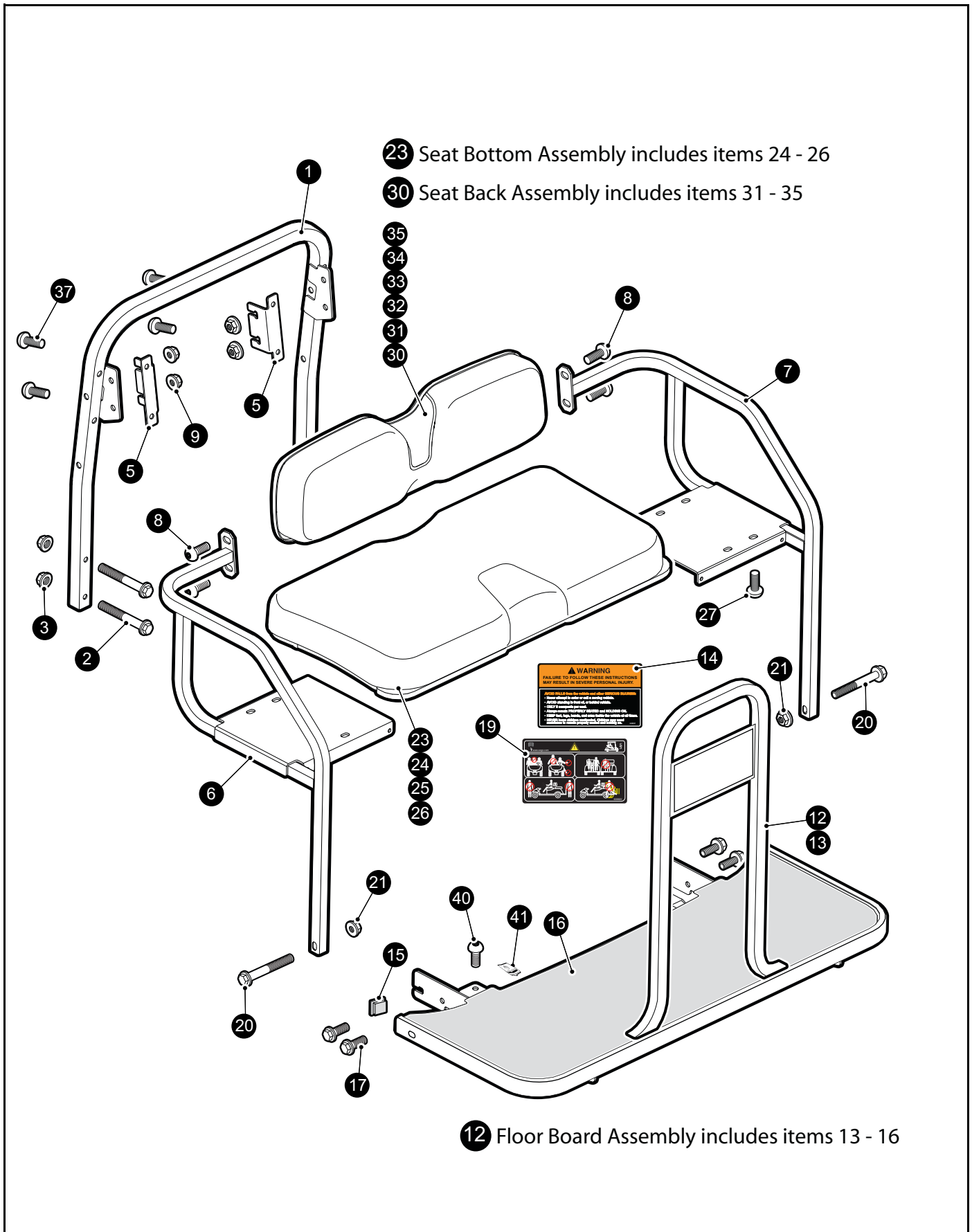
SEATING & BASKET

When ordering parts, please specify the model and serial number of the product.

* Indicates a component that is not available as an individual part.

*** Indicates consult Customer Service Department for additional information.

ITEM	PART NO.	1	2	3	4	5	DESCRIPTION	QTY.
25	605529						SEAT BACK BLACK PLASTIC COVER.....	1
26	603000						BUTTON HEAD TORX SCREW, PLASTITE THREAD FORMING, M6 - 1	4
27								
28	600527						BUTTON HEAD TORX BOLT, M10 - 1.5 X 60.....	4
29								
30								
31								
32	602742						SWEATER BASKET ASSEMBLY (includes items 33 - 36)	1
33	610607						SWEATER BASKET	1
34	608051						BAG STRAP CLAMP	2
35	16816-G1						CHRISTMAS TREE RIVET.....	2
36	604102						BAG STRAP.....	1
37								
38	600530						BUTTON HEAD TORX BOLT, M10 - 1.5 X 25.....	2
39	600527						BUTTON HEAD TORX BOLT, M10 - 1.5 X 60.....	4
40	600525						LOCK NUT, M10 - 1.5.....	4



SEATING & BASKET

When ordering parts, please specify the model and serial number of the product.

* Indicates a component that is not available as an individual part.

*** Indicates consult Customer Service Department for additional information.

ITEM	PART NO.	1 2 3 4 5	DESCRIPTION	QTY.
1	604473		SEAT BACK SUPPORT, 2 + 2 SEAT	1
2	603800		HEX HEAD FLANGED BOLT, M10 - 1.5 X 50.....	4
3	600525		LOCK NUT, M10 - 1.5.....	4
4				
5	606286		REAR SEAT BACK MOUNTING BRACKET	2
6	604723		ARM REST, DRIVER SIDE	1
7	604725		ARM REST, PASSENGER SIDE	1
8	600530		BUTTON HEAD TORX BOLT, M10 - 1.5 X 25.....	4
9	600525		LOCK NUT, M10 - 1.5.....	4
10				
11				
12	604457		REAR FACING SEAT FLOORBOARD ASSEMBLY (includes items 7 - 10) ...	1
13	604398		FOOTREST WELDMENT	1
14	74074-G01		2 + 2 WARNING DECAL.....	1
15	19853-G1		END CAP	2
16	604407		RUBBER FLOORMAT	1
17	603799		HEX HEAD FLANGED BOLT, M10 - 1.5 X 25.....	4
18				
19	608820		2 + 2 WARNING DECAL, CE	1
20	602415		HEX HEAD FLANGED BOLT, M10 - 1.5 X 80.....	2
21	600525		LOCK NUT, M10 - 1.5.....	2
22				
23	6XXXX		SEAT BOTTOM ASSEMBLY (select color below) (includes items 24 - 26)..... 605501..... STONE BEIGE SEAT BOTTOM ASSEMBLY 608010..... OYSTER SEAT BOTTOM ASSEMBLY	1
24	6XXXXX		SEAT BOTTOM VINYL COVER (select color below)	1
			600221..... STONE BEIGE SEAT BOTTOM VINYL COVER 608007..... OYSTER SEAT BOTTOM VINYL COVER	
25	605503		SEAT BOTTOM FOAM	1
26	605502		SEAT BOTTOM WOODEN BASE ASSEMBLY	1
27	603799		HEX HEAD FLANGED BOLT, M10 - 1.5 X 25.....	4
28				

SEATING & BASKET

When ordering parts, please specify the model and serial number of the product.

* Indicates a component that is not available as an individual part.

*** Indicates consult Customer Service Department for additional information.

ITEM	PART NO.	1 2 3 4 5	DESCRIPTION	QTY.
29				
30	6XXXX		SEAT BACK ASSEMBLY (select color below)	1
			605548 STONE BEIGE SEAT BACK ASSEMBLY	
			608012 OYSTER SEAT BACK ASSEMBLY	
31	6XXXXX		SEAT BACK VINYL COVER (select color below).....	1
			605537 STONE BEIGE SEAT BACK VINYL COVER	
			608006 OYSTER SEAT BACK VINYL COVER	
32	71754-G01		SEAT BACK FOAM	1
33	605550		SEAT BACK WOODEN BASE ASSEMBLY	1
34	605529		SEAT BACK BLACK PLASTIC COVER	1
35	603000		BUTTON HEAD TORX SCREW, PLASTITE THREAD FORMING, M6 - 1	4
36				
37	600530		BUTTON HEAD TORX BOLT, M101 - 1.5 X 25	2
38				
39				
40	600530		BUTTON HEAD TORX BOLT, M10 - 1.5 X 25	2
41	603818		BARREL CLIP, M10 - 1.5	2

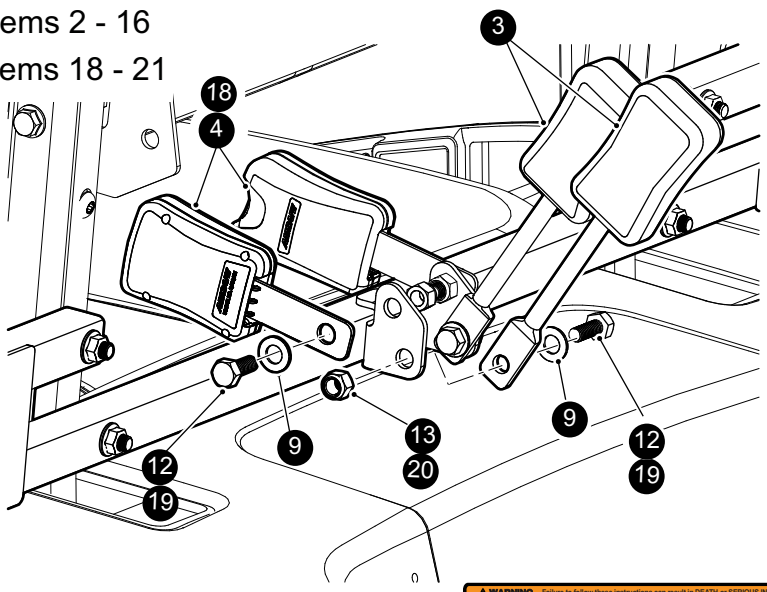
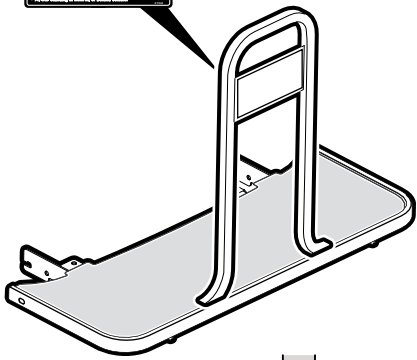
SEATING & BASKET

1 Seat belt assembly kit includes items 2 - 16

17 Seat belt assembly kit includes items 18 - 21

16

WARNING
FAILURE TO FOLLOW THESE INSTRUCTIONS
MAY RESULT IN DEATH OR SERIOUS INJURY.



19

12

5

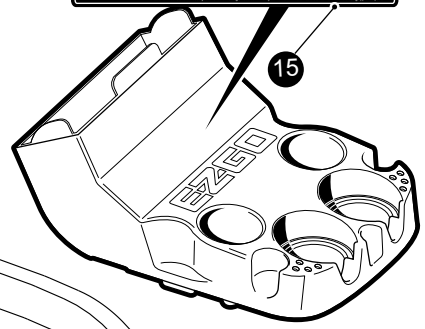
9

11

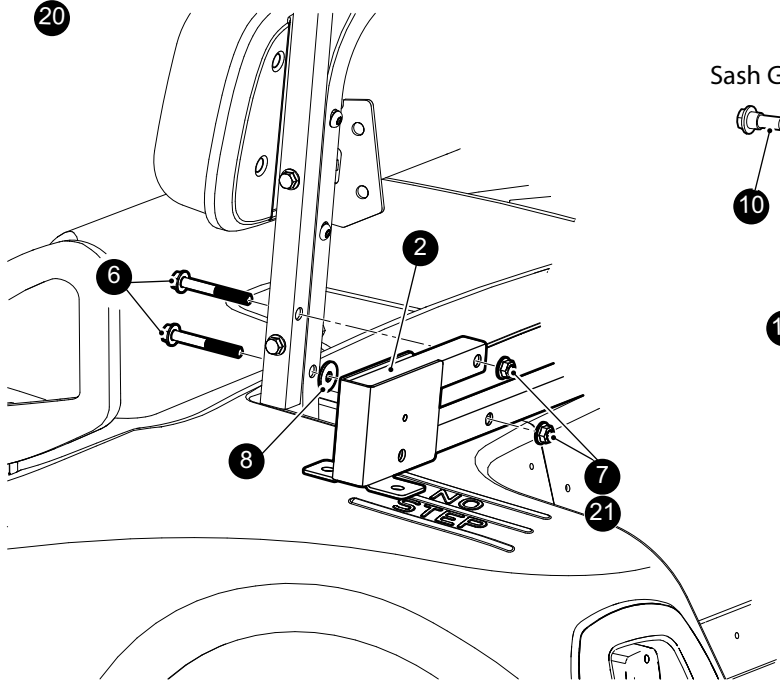
13

20

WARNING Failure to follow these instructions can result in DEATH or SERIOUS INJURY.



15



Sash Guide Front of Vehicle

10

14

13

20

9

9

9

20

13

9

9

14

10

9

Sash Guide

SEATING & BASKET

When ordering parts, please specify the model and serial number of the product.

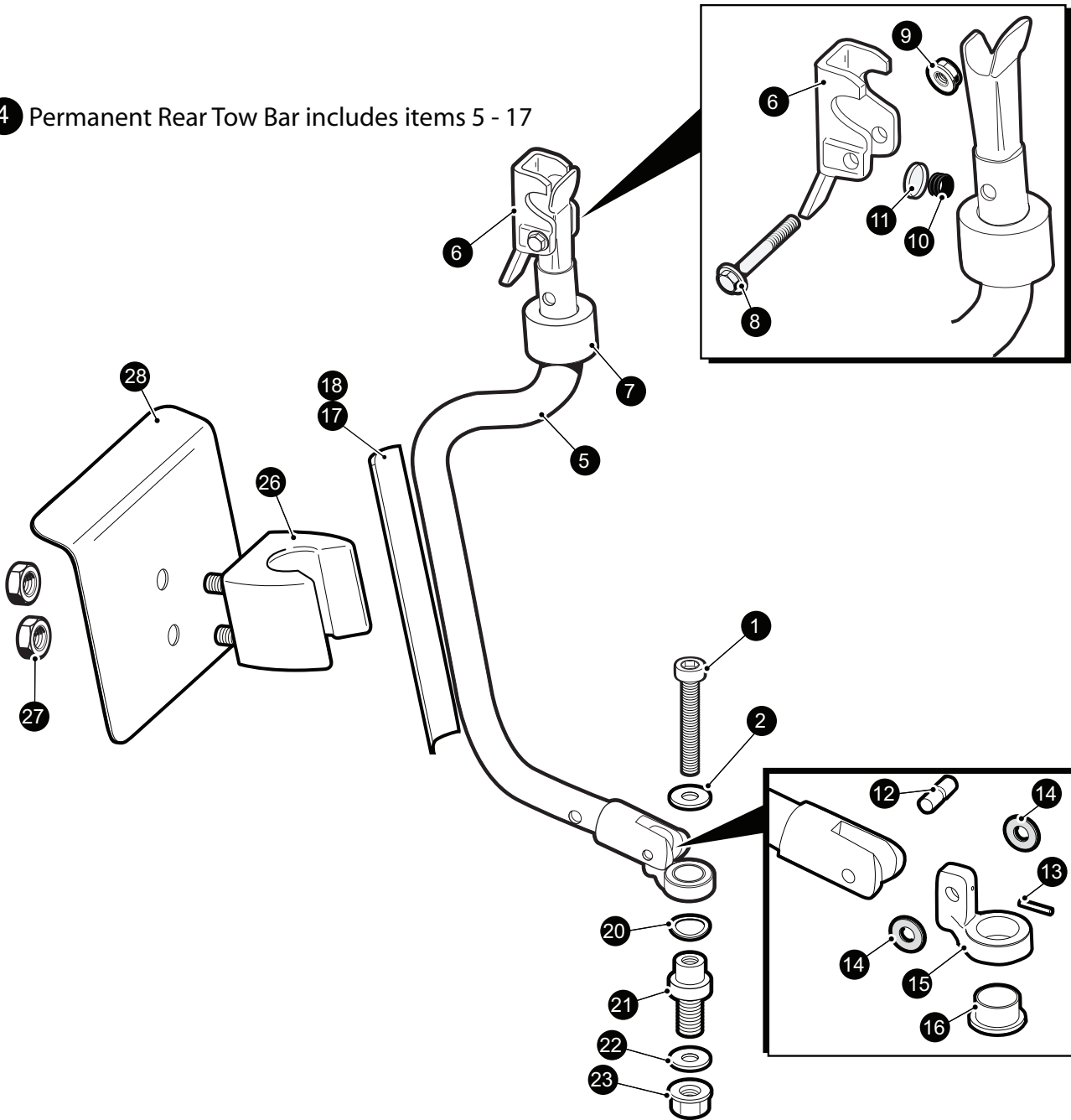
* Indicates a component that is not available as an individual part.

*** Indicates consult Customer Service Department for additional information.

ITEM	PART NO.	1 2 3 4 5	DESCRIPTION	QTY.
1	620704		SEAT BELT ASSEMBLY KIT (includes items 2 - 16)	1
2	610739		SEAT BELT CROSS BAR.....	1
3	609031		SEAT BELT BUCKLE, 9"	2
4	609854		SEAT BELT BUCKLE, 6"	2
5	611254		SEAT BELT RETRACTOR ASSEMBLY	4
6	602415		FLANGED HEX HEAD BOLT, M10 - 1.5 X 80 MM	4
7	600525		FLANGED LOCK NUT, M10 - 1.5.....	4
8	604066		FLAT WASHER, M10	4
9	00560G2		FLAT WASHER, 7/16	16
10	620770		HEX HEAD SHOULDER BOLT, 7/16 - 20 X 2.28	4
11	612346		HEX HEAD BOLT 7/16 - 20 X 2.50.....	2
12	610753		HEX HEAD CAP SCREW, 7/16 - 20 X 1.00	8
13	00734G3		LOCK NUT, 7/16 - 20.....	14
14	605686		VINYL CAP	4
15	612194		CUP HOLDER DECAL	1
16	611362		REAR FACING SEAT DECAL	1
17	613474		SEAT BELT ASSEMBLY KIT ((includes items 18 - 21)	1
18	609854		SEAT BELT BUCKLE, 6"	2
19	610753		HEX HEAD CAP SCREW, 7/16 - 20 X 1.00	8
20	00734-G3		LOCK NUT, 7/16 - 20.....	18
21	600525		FLANGED LOCK NUT, M10 - 1.5.....	4

TOW BAR

4 Permanent Rear Tow Bar includes items 5 - 17



When ordering parts, please specify the model and serial number of the product.

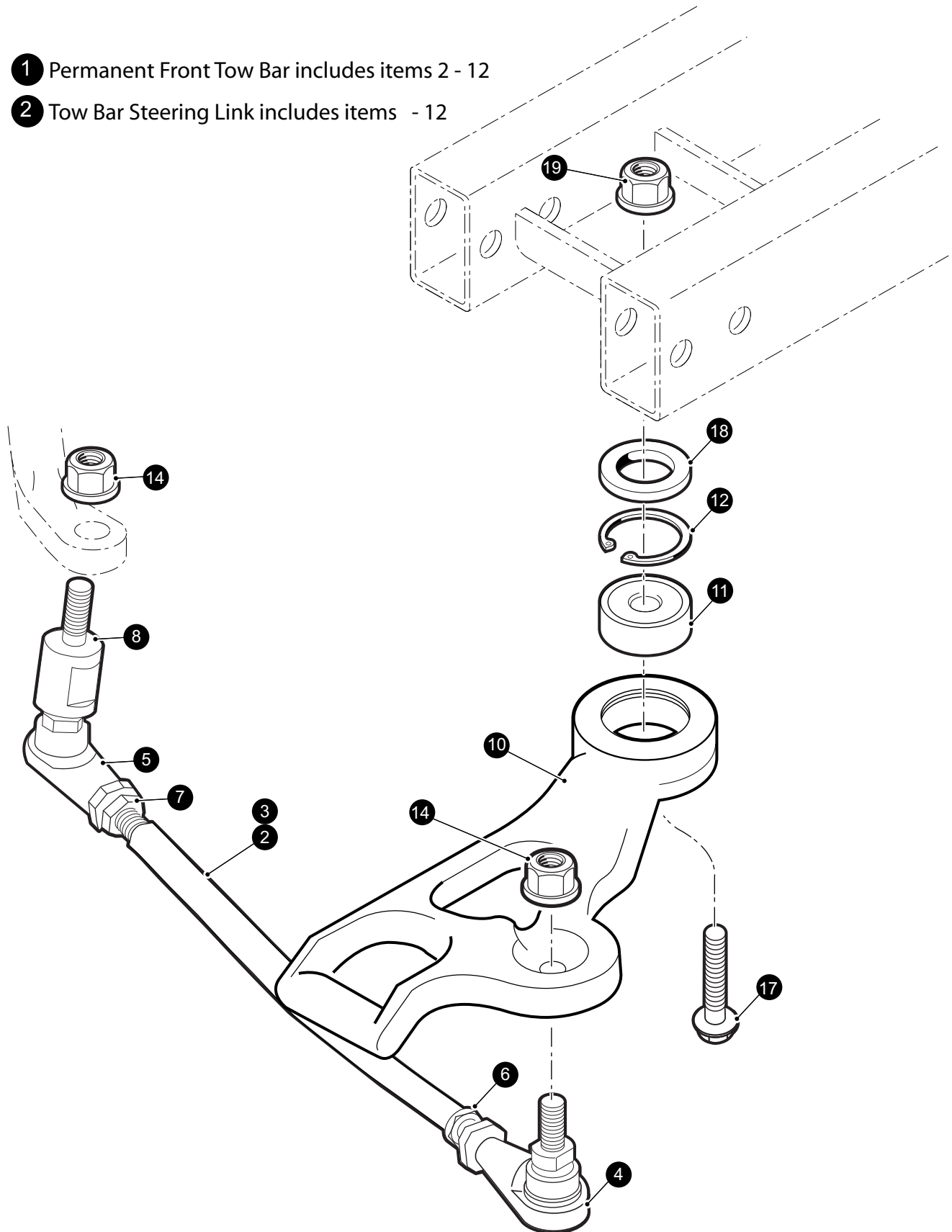
* Indicates a component that is not available as an individual part.

*** Indicates consult Customer Service Department for additional information.

ITEM	PART NO.	1 2 3 4 5	DESCRIPTION	QTY.
1	603384		SOCKET HEAD CAP SCREW, M12 - 1.25 X 100	1
2	603182		FLAT WASHER, M12, 13.5 X 32 X 3	1
3				
4	603476		PERMANENT TOW BAR (towing vehicle), (includes items 5 - 17)	1
5	603316		TOW BAR	1
6	603236		LATCH	1
7	75362-G01		LATCH STOP	1
8	601414		HEX HEAD FLANGED BOLT, M10 - 1.5 X 65	1
9	600525		FLANGED LOCK NUT, M10 - 1.5	1
10	20852-G2		COMPRESSION SPRING	1
11	25661-G02		CUP WASHER	1
12	603494		PIVOT PIN	1
13	608793		SPRING PIN	1
14	75340-G01		DELTRIN WASHER	2
15	602988		TOW BAR SWIVEL	1
16	70648-G01		FLANGED BUSHING	1
17	608525		TOW BAR WARNING DECAL	1
18	608525		TOW BAR WARNING DECAL, CE	1
19				
20	603341		WAVE SPRING WASHER, 32mm	1
21	602990		TOW BAR PIVOT	1
22	603182		FLAT WASHER, M12, 13.5 X 32 X 3	1
23	600549		FLANGED HEX NUT, M12 - 1.25	1
24				
25				
26	603020		REAR TOW BAR RETAINER	1
27	600525		FLANGED HEX NUT, M10 - 1.5	2
28	608757		RETAINER BACKING PLATE	1

TOW BAR

- 1 Permanent Front Tow Bar includes items 2 - 12
- 2 Tow Bar Steering Link includes items - 12



TOW BAR

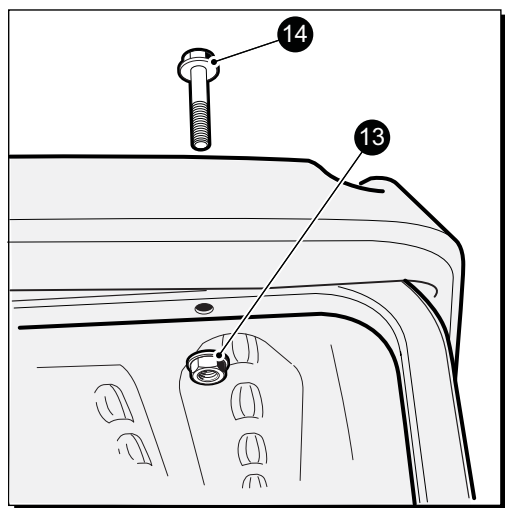
When ordering parts, please specify the model and serial number of the product.

* Indicates a component that is not available as an individual part.

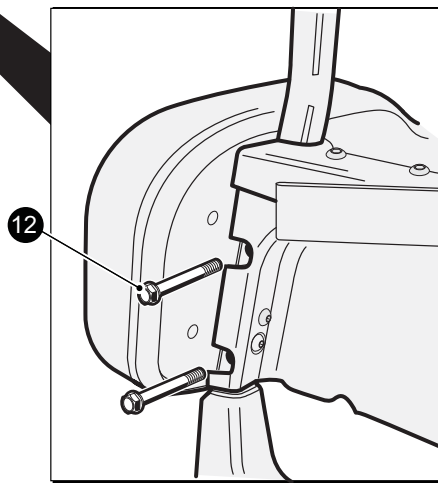
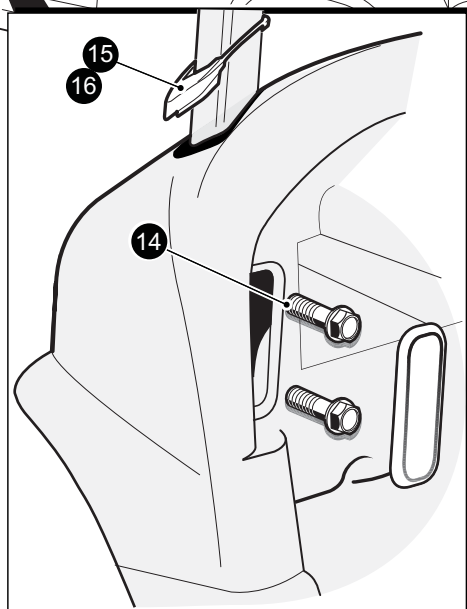
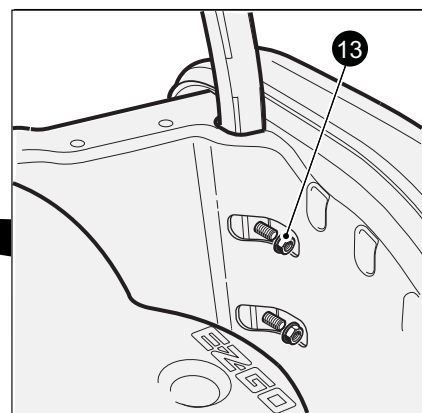
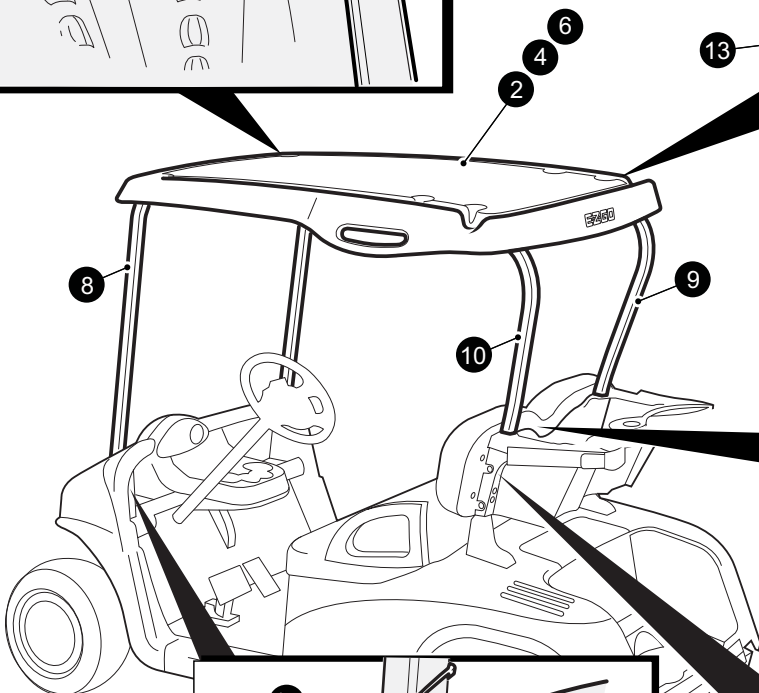
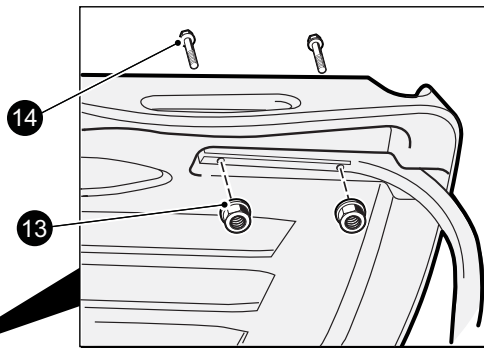
*** Indicates consult Customer Service Department for additional information.

ITEM	PART NO.	1 2 3 4 5	DESCRIPTION	QTY.
1	603475		PERMANENT TOW BAR (towed vehicle) (includes items 2 - 12)	1
2	601624		TOW BAR STEERING LINK (includes items 3 - 8)	1
3	603297		TOW BAR TIE ROD	1
4	603322		LEFT HAND TIE ROD END	1
5	601266		RIGHT HAND TIE ROD END	1
6	603487		JAM NUT, M12 - 1.25 LH	1
7	603488		JAM NUT, M12 - 1.25 RH	1
8	608739		SPACER	1
9				
10	601389		FRONT TOW BAR CASTING	1
11	606073		BEARING	1
12	607322		INTERNAL SNAP RING	1
13				
14	600549		FLANGED HEX NUT, M12 - 1.25	2
15				
16				
17	607365		HEX HEAD FLANGED BOLT, M16 - 2 X 70	1
18	606293		FRONT TOW BAR SPACER	1
19	601709		LOCKING HEX NUT, M16 - 2	1

WEATHER PROTECTION



- 1 Stone Beige Sun Top Kit includes items 2 & 7
- 3 Oyster Sun Top Kit includes items 4 & 7
- 5 Black Sun Top Kit includes items 6 & 7
- 7 Strut Kit includes items 8 - 11
- 11 Sun Top Hardware Kit includes items 12 - 16



WEATHER PROTECTION

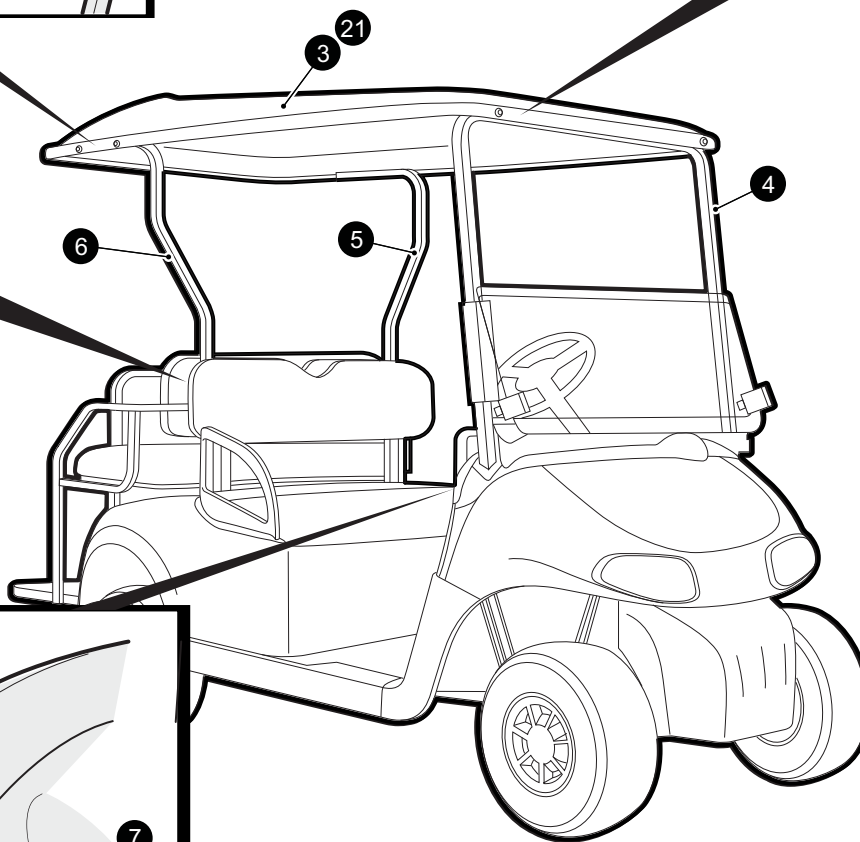
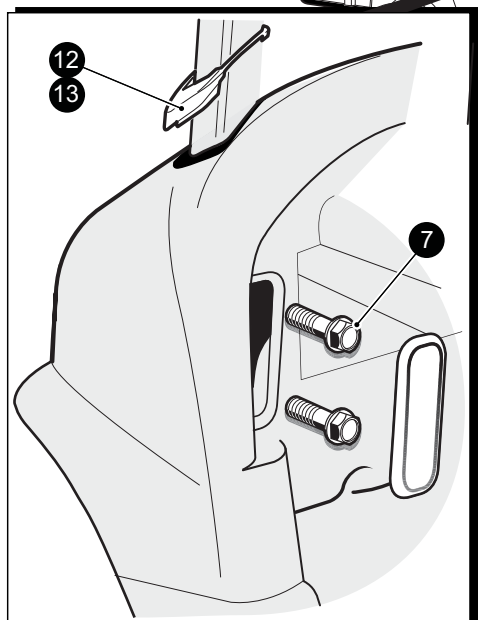
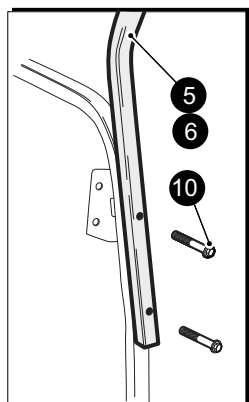
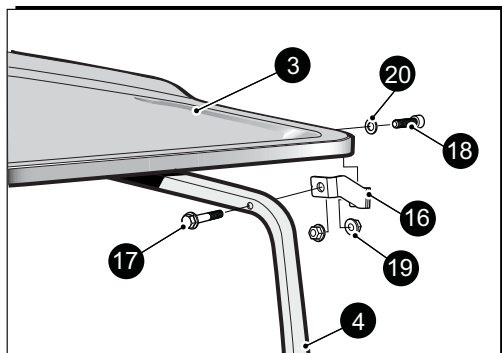
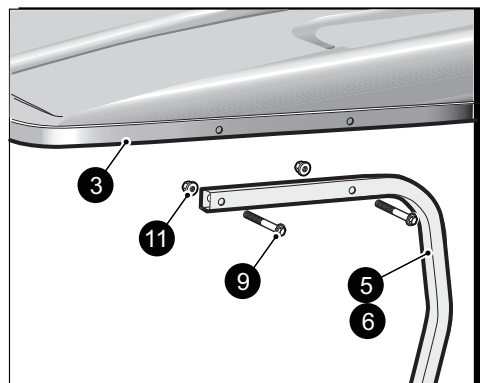
When ordering parts, please specify the model and serial number of the product.

* Indicates a component that is not available as an individual part.

*** Indicates consult Customer Service Department for additional information.

ITEM	PART NO.	1 2 3 4 5	DESCRIPTION	QTY.
1	606354		SUN TOP KIT, STONE BEIGE (includes items 2 & 7)	1
2	608198		SUN TOP, STONE BEIGE	1
3	608695		SUN TOP KIT, OYSTER (includes items 4 & 7).....	1
4	608015		SUN TOP, OYSTER	1
5	613233		SUN TOP KIT, BLACK (includes item 6 & 7)	1
6	613227		SUN TOP, BLACK	
7	608677		SUN TOP STRUT KIT (includes items 8 - 11).....	1
8	603203		FRONT STRUT	1
9	603370		REAR STRUT, PASSENGER SIDE	1
10	603369		REAR STRUT, DRIVER SIDE.....	1
11	607013		SUN TOP HARDWARE KIT (includes items 12 - 16)	1
12	602415		HEX HEAD FLANGED BOLT, M10 - 1.5 X 80	4
13	600525		FLANGED LOCK NUT, M10 - 1.5.....	10
14	603800		HEX HEAD FLANGED BOLT, M10 - 1.5 X 50	10
15	602770		GROMMET, DRIVER SIDE	1
16	602992		GROMMET, PASSENGER SIDE.....	1

WEATHER PROTECTION



- 1 2 + 2 Stone Beige Sun Top Kit includes items 3 - 14
- 2 2 + 2 Oyster Sun Top Kit includes items 4 - 14 & 21
- 8 2 + 2 Sun Top Hardware Kit includes items 9 - 13
- 14 2 + 2 Sun Top Hardware Kit includes items 15 - 20

WEATHER PROTECTION

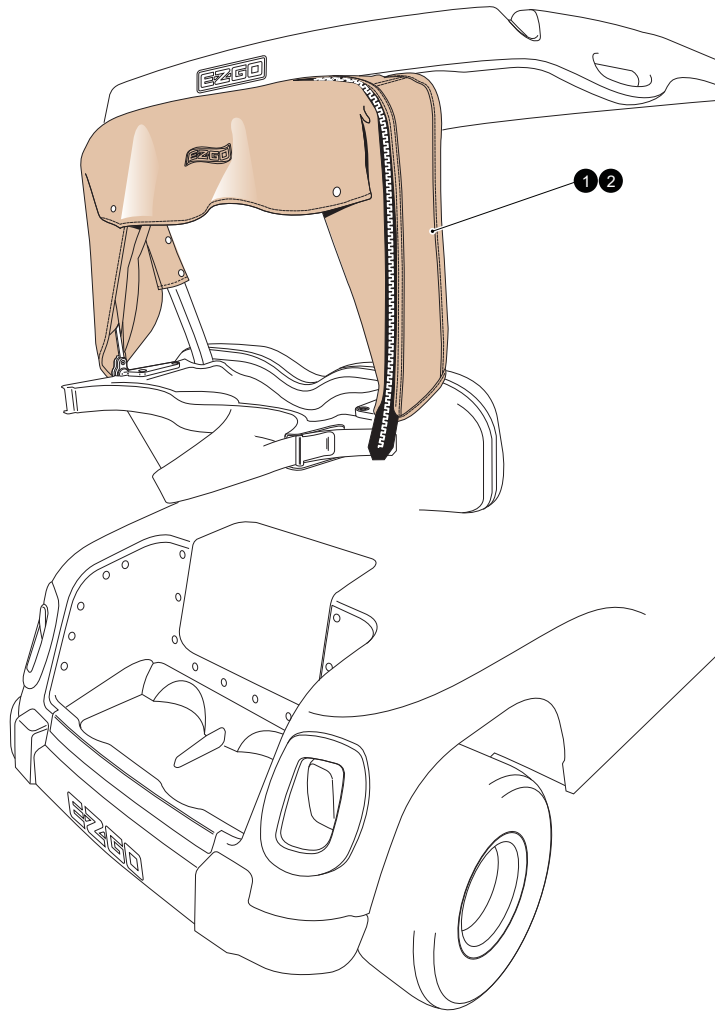
When ordering parts, please specify the model and serial number of the product.

* Indicates a component that is not available as an individual part.

*** Indicates consult Customer Service Department for additional information.

ITEM	PART NO.	1 2 3 4 5	DESCRIPTION	QTY.
1	610461		2 + 2 SUN TOP KIT, STONE BEIGE (includes items 3 - 14)	1
2	610462		2 + 2 SUN TOP KIT, OYSTER (includes items 4 -14 & 21)	
3	610434		2 + 2 SUN TOP, STONE BEIGE	1
4	603203		FRONT STRUT	1
5	604423		2 + 2 REAR STRUT, DRIVER SIDE	1
6	604424		2 + 2 REAR STRUT, PASSENGER SIDE	1
7	603800		HEX HEAD FLANGED BOLT, M10 - 1.5 X 50	1
8	610468		2 + 2 SUN TOP HARDWARE KIT (includes items 9 - 13)	1
9	601414		HEX HEAD FLANGED BOLT, M10 - 1.5 X 65	4
10	602415		HEX HEAD FLANGED BOLT, M10 - 1.5 X 80	4
11	600525		FLANGED LOCK NUT, M10 - 1.5	4
12	602770		STRUT GROMMET, DRIVER SIDE	1
13	602992		STRUT GROMMET, PASSENGER SIDE	1
14	610472		2 + 2 SUN TOP HARDWARE KIT (includes items 15-20)	1
15	610424		BRACKET, DRIVER SIDE (NOT SHOWN)	1
16	610425		BRACKET, PASSENGER SIDE	1
17	603800		HEX HEAD FLANGED BOLT, M10 - 1.5 X 50	2
18	608653		SOCKET HEAD SCREW, M10 - 1.5 X 35	2
19	600525		FLANGED LOCK NUT, M10 - 1.5	4
20	00560G1		FLAT WASHER	2
21	610433		2 + 2 SUN TOP, OYSTER	1

WEATHER PROTECTION



WEATHER PROTECTION

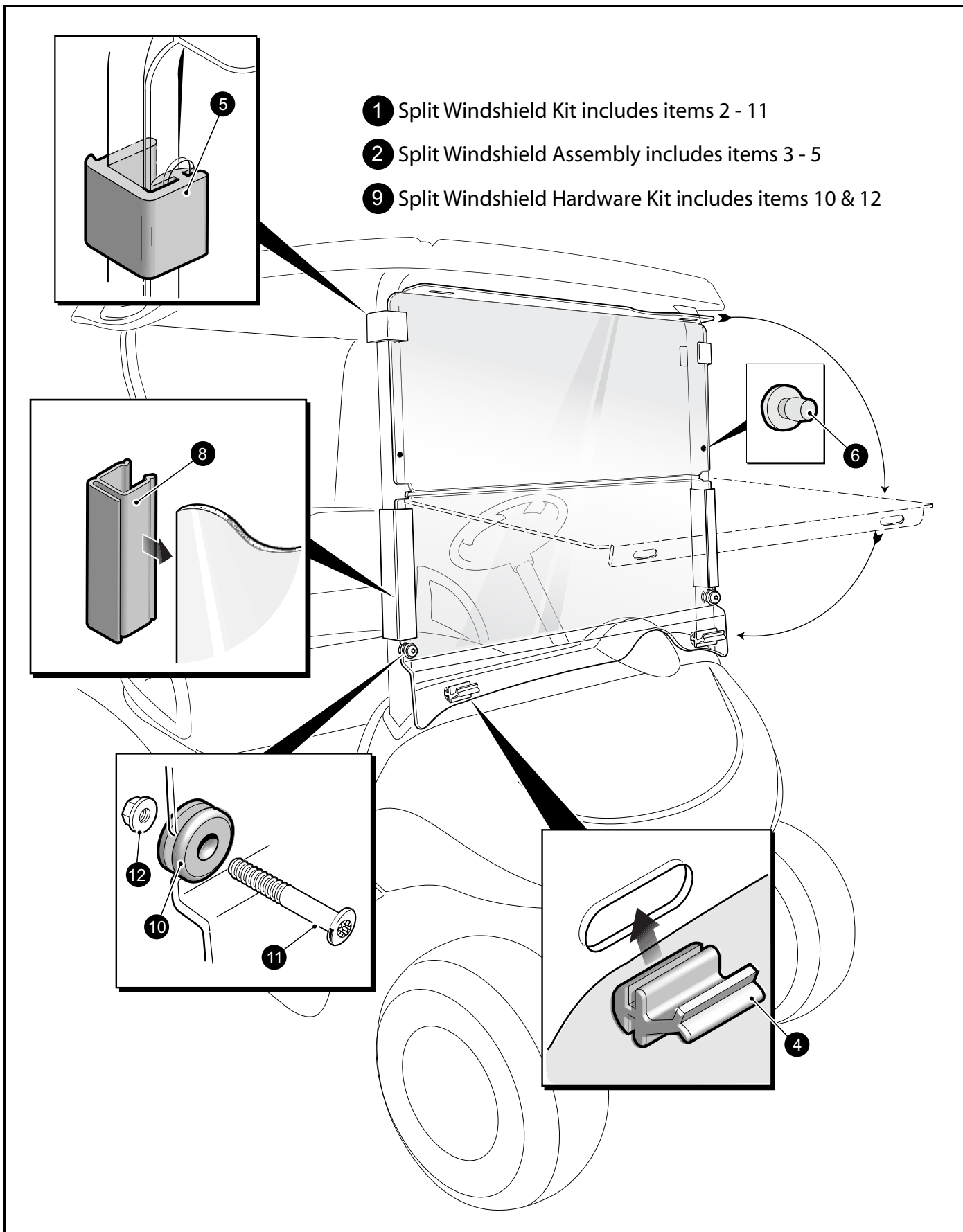
When ordering parts, please specify the model and serial number of the product.

* Indicates a component that is not available as an individual part.

*** Indicates consult Customer Service Department for additional information.

ITEM	PART NO.	1 2 3 4 5	DESCRIPTION	QTY.
1	604666		BAG COVER KIT,STONE BEIGE	1
2	620604		BAG COVER KIT, OYSTER.....	1

WEATHER PROTECTION



WEATHER PROTECTION

When ordering parts, please specify the model and serial number of the product.

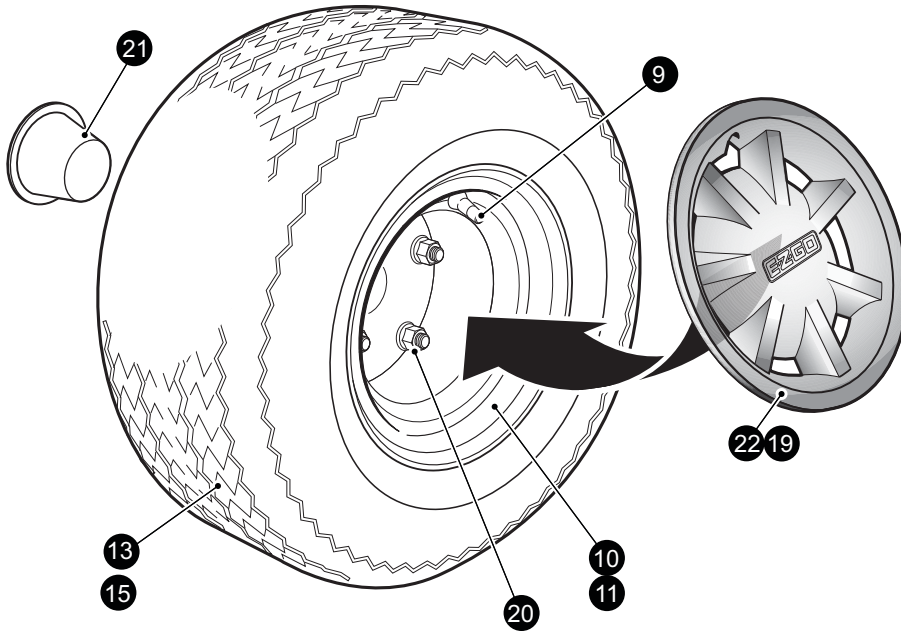
* Indicates a component that is not available as an individual part.

*** Indicates consult Customer Service Department for additional information.

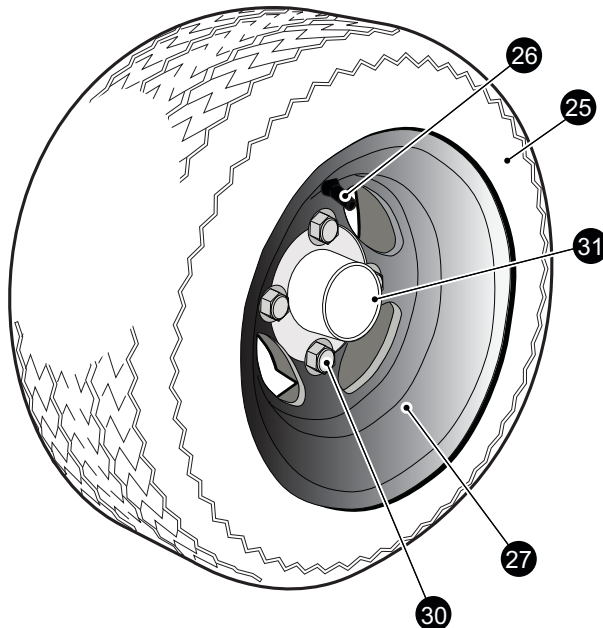
ITEM	PART NO.	1 2 3 4 5	DESCRIPTION	QTY.
1	606584		SPLIT WINDSHIELD KIT (includes items 2 - 11).....	1
2	606623		SPLIT WINDSHIELD ASSEMBLY (includes items 3 - 5).....	1
3	603738		SPLIT WINDSHIELD.....	1
4	603201		LOWER WINDSHIELD LATCH.....	2
5	603198		UPPER WINDSHIELD LATCH.....	2
6	604115		WINDSHIELD ISOLATOR.....	2
7				
8	603852		WINDSHIELD ATTACHMENT SASH.....	2
9	607014		SPLIT WINDSHIELD HARDWARE KIT (includes items 10 & 11)	1
10	604116		GROMMET	2
11	602527		TORX BOLT, BHD, M10 - 1.5 X 60	2
12	600525		LOCK NUT, M10 - 1.5	2

WHEELS AND TIRES

- 1 LINKS STONE BEIGE WHEEL & TIRE ASSEMBLY (includes items 9, 10 & 13)
- 2 LINKS WHITE WHEEL & TIRE ASSEMBLY (includes items 9, 11 & 13)
- 5 USA STONE BEIGE WHEEL& TIRE ASSEMBLY (includes items 9, 10 & 15)
- 6 USA WHITE WHEEL& TIRE ASSEMBLY (includes items 9, 11 & 15)



- 24 ALLOY WHEEL AND TIRE ASSEMBLY (includes items 25 - 27)



WHEELS AND TIRES

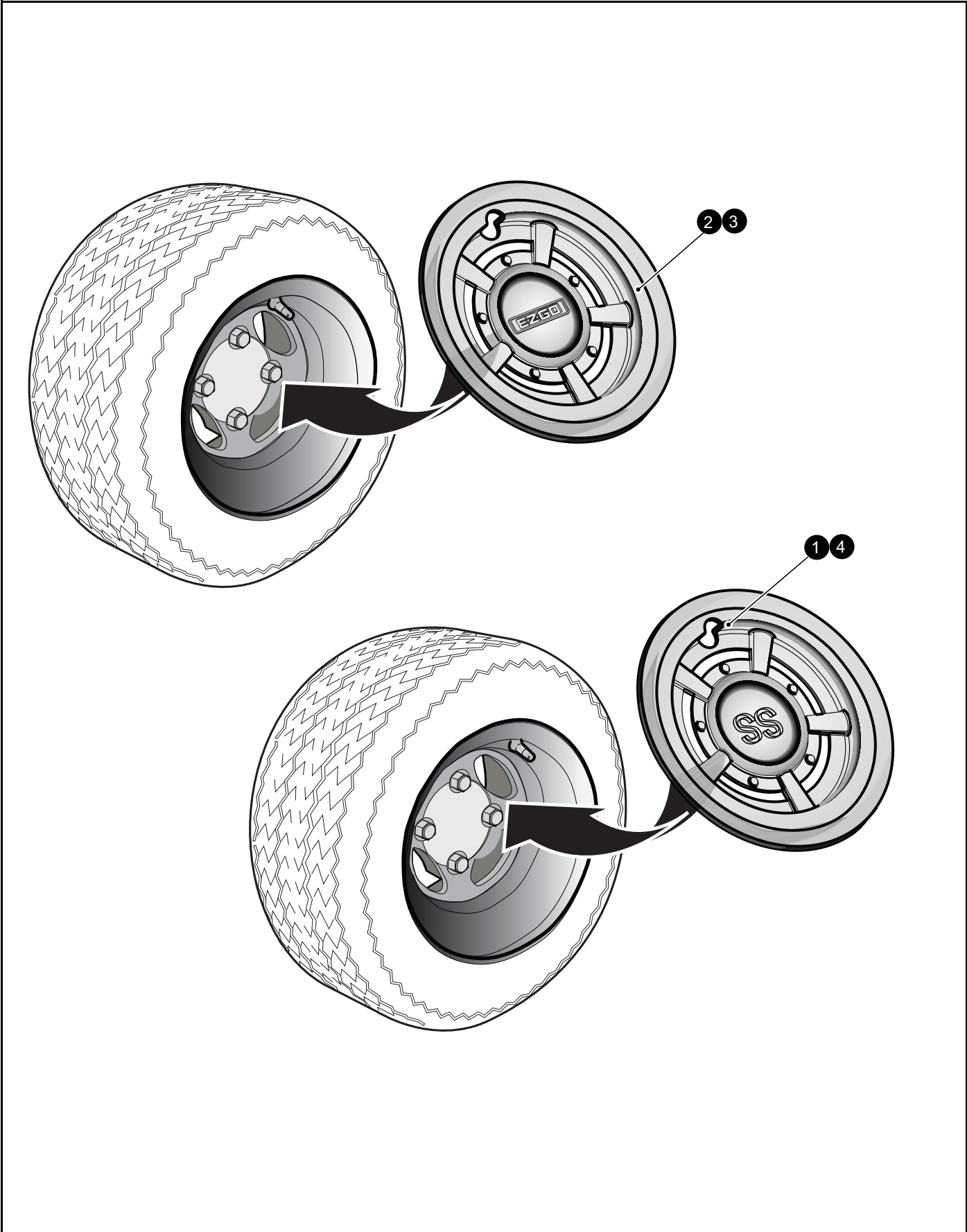
When ordering parts, please specify the model and serial number of the product.

* Indicates a component that is not available as an individual part.

*** Indicates consult Customer Service Department for additional information.

ITEM	PART NO.	1 2 3 4 5	DESCRIPTION	QTY.
1	603173		LINKS STONE BEIGE WHEEL & TIRE ASSEMBLY (includes items 9, 10 & 13)	1
2	28757G01		LINKS WHITE WHEEL & TIRE ASSEMBLY (includes items 9, 11 & 13)	1
3				
4				
5	603216		USA STONE BEIGE WHEEL& TIRE ASSEMBLY (includes items 9, 10 & 15)	1
6	28842G01		USA WHITE WHEEL& TIRE ASSEMBLY (includes items 9, 11 & 15)	1
7				
8				
9	11657G2		VALVE STEM.....	1
10	603172		STONE BEIGE WHEEL.....	1
11	28759G01		WHITE WHEEL	1
12				
13	28764G01		CARLISLE LINKS TIRE, 18 X 8.5 - 8.....	1
14				
15	28764-G08		CARLISLE USA TRAIL TIRE 18.5 X 8.5 - 8.....	1
16				
17				
18				
19	607096		HUB CAP, SILVER	4
20	14723-G1		LUG NUT, 1/2 - 20 UNF	4
21	74175-G01		DUST CAP	1
22	603785		HUB CAP, GOLD	4
23				
24	600599		ALLOY WHEEL AND TIRE ASSEMBLY (includes items 25 - 27)	1
25	601768		TOUR MAX TIRE, 205 / 50 - 10	1
26	601767		VALVE STEM.....	1
27	601766		ITP ALLOY WHEEL.....	1
28				
29				
30	605310		CHROME LUG NUT, 1/20-020 UNF	4
31	601353		ALLOY WHEEL CAP	1

WHEELS AND TIRES



WHEELS AND TIRES

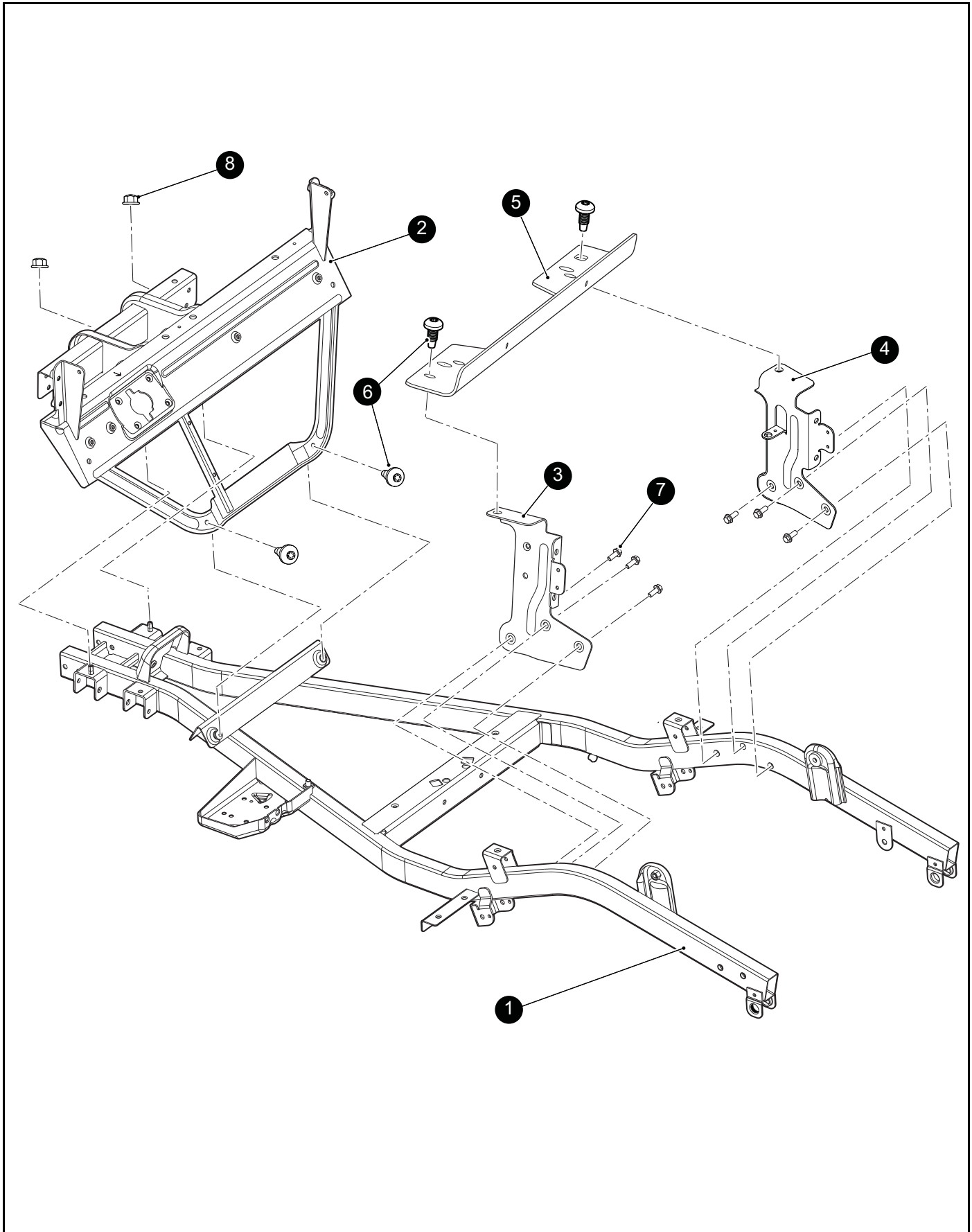
When ordering parts, please specify the model and serial number of the product.

* Indicates a component that is not available as an individual part.

*** Indicates consult Customer Service Department for additional information.

ITEM	PART NO.	1 2 3 4 5	DESCRIPTION	QTY.
1	620942		WHEEL COVER, CHROME SS, 8"	4
2	620943		WHEEL COVER, CHROME E-Z-GO, 8"	4
3	620944		WHEEL COVER, CHROME SILVER E-Z-GO, 8"	4
4	620945		WHEEL COVER, CHROME SILVER SS, 8"	4

FRAME



When ordering parts, please specify the model and serial number of the product.

* Indicates a component that is not available as an individual part.

*** Indicates consult Customer Service Department for additional information.

ITEM	PART NO.	1 2 3 4 5	DESCRIPTION	QTY.
1	612527		FRAME WELDMENT	1
2	602390		IP SUPPORT WELDMENT	1
3	600218		SEAT SUPPORT DRIVER SIDE BRACKET	1
4	613187		SEAT SUPPORT PASSENGER SIDE BRACKET	1
5	601275		SEAT SUPPORT, BRACE.....	1
6	602572		PAN HEAD TORX BOLT, M10 - 1.5 X 25.....	4
7	603799		HEX HEAD FLANGED BOLT , M10 - 1.5 X 23	6
8	600525		FLANGED HEX NUT, M10 -1.5.....	2

Notes:





A Textron Company

E-Z-GO Division of Textron Inc.,
1451 Marvin Griffin Road, Augusta, Georgia 30906 - 3852 USA

TO CONTACT US...

North America:

**Technical Assistance & Warranty
Service Parts**

Phone: 1-800-774-3946, FAX: 1-800-448-8124

Phone: 1-888-GET-E-Z-GO (1-888-438-3946), FAX: 1-800-752-6175

International:

Phone: 001-706-798-4311, FAX: 001-706-771-4609

ISO 9001
ISO 14001

BUREAU VERITAS
Certification



Copyrighted Material
This manual may not be reproduced in whole or
in part without the express permission of
E-Z-GO Division of Textron, Inc.
Technical Communications Department